

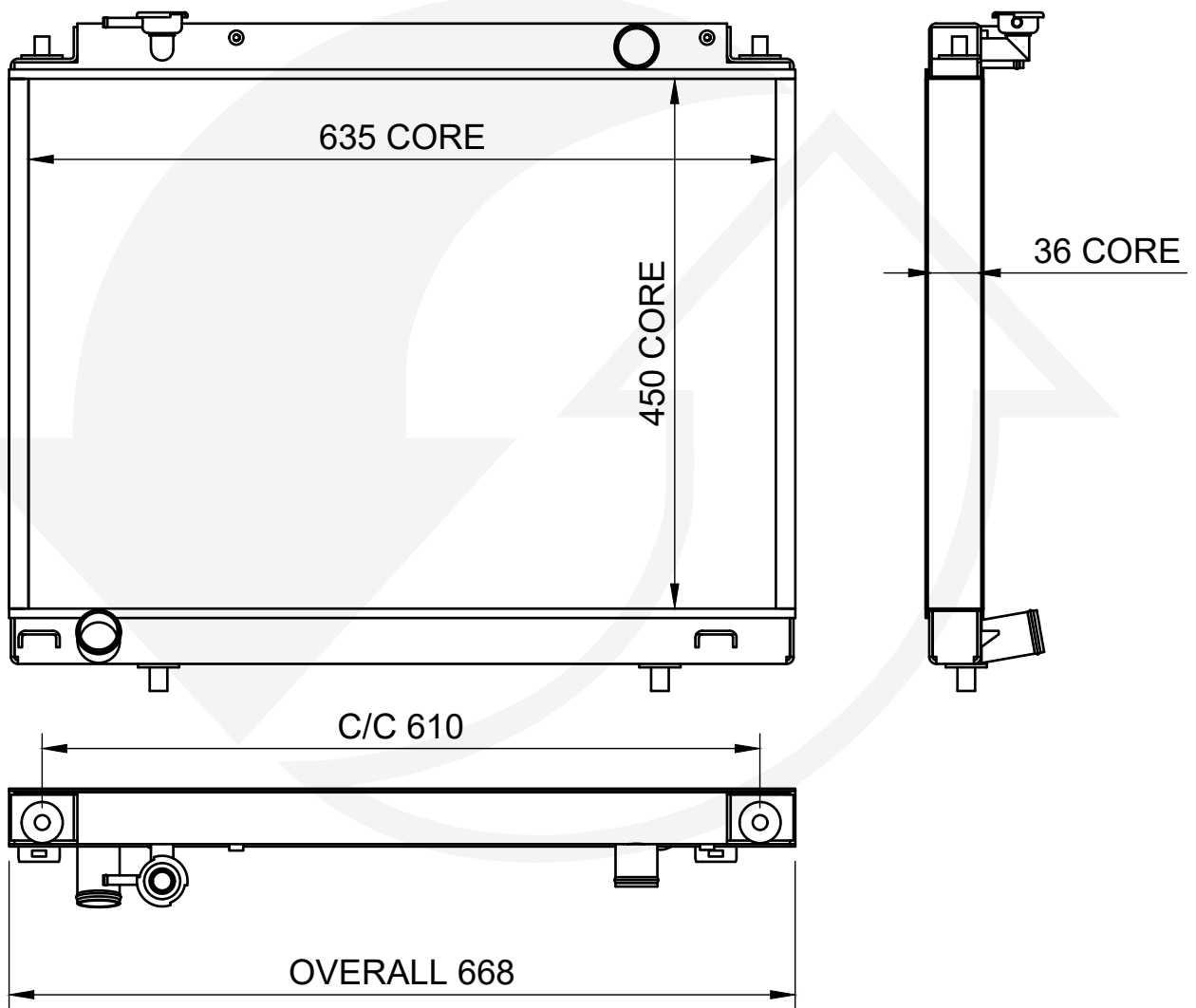
**CHE**

***HEAT TRANSFER PRODUCTS***

# HEADER PLATE RADIATORS

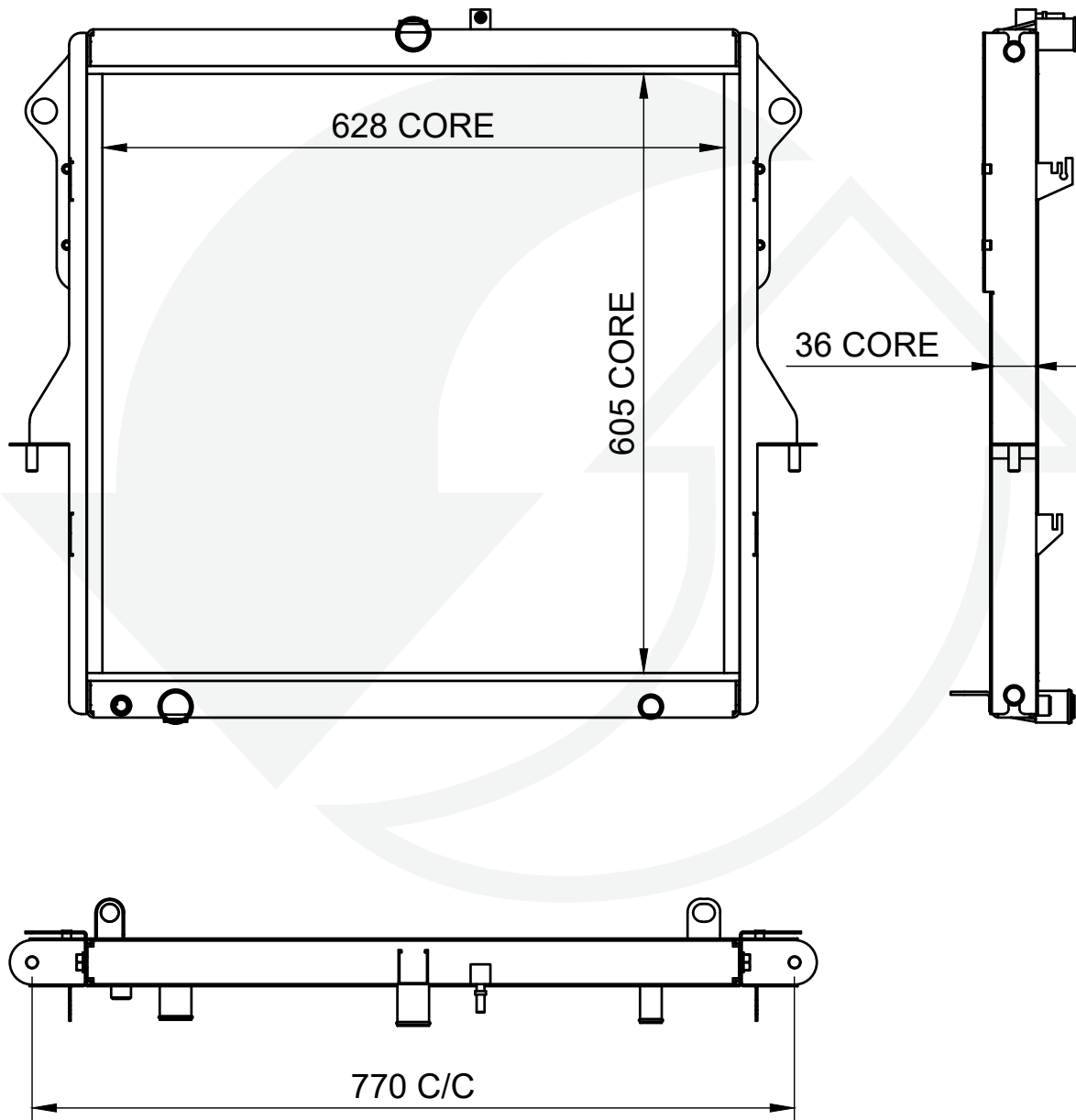


# FORD RANGER 2.5 & 3.0



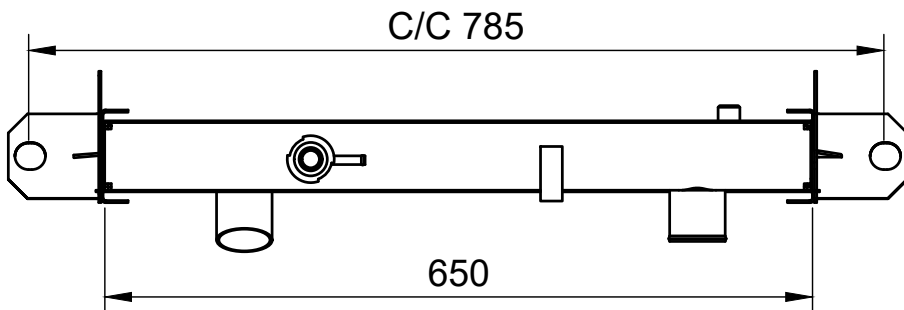
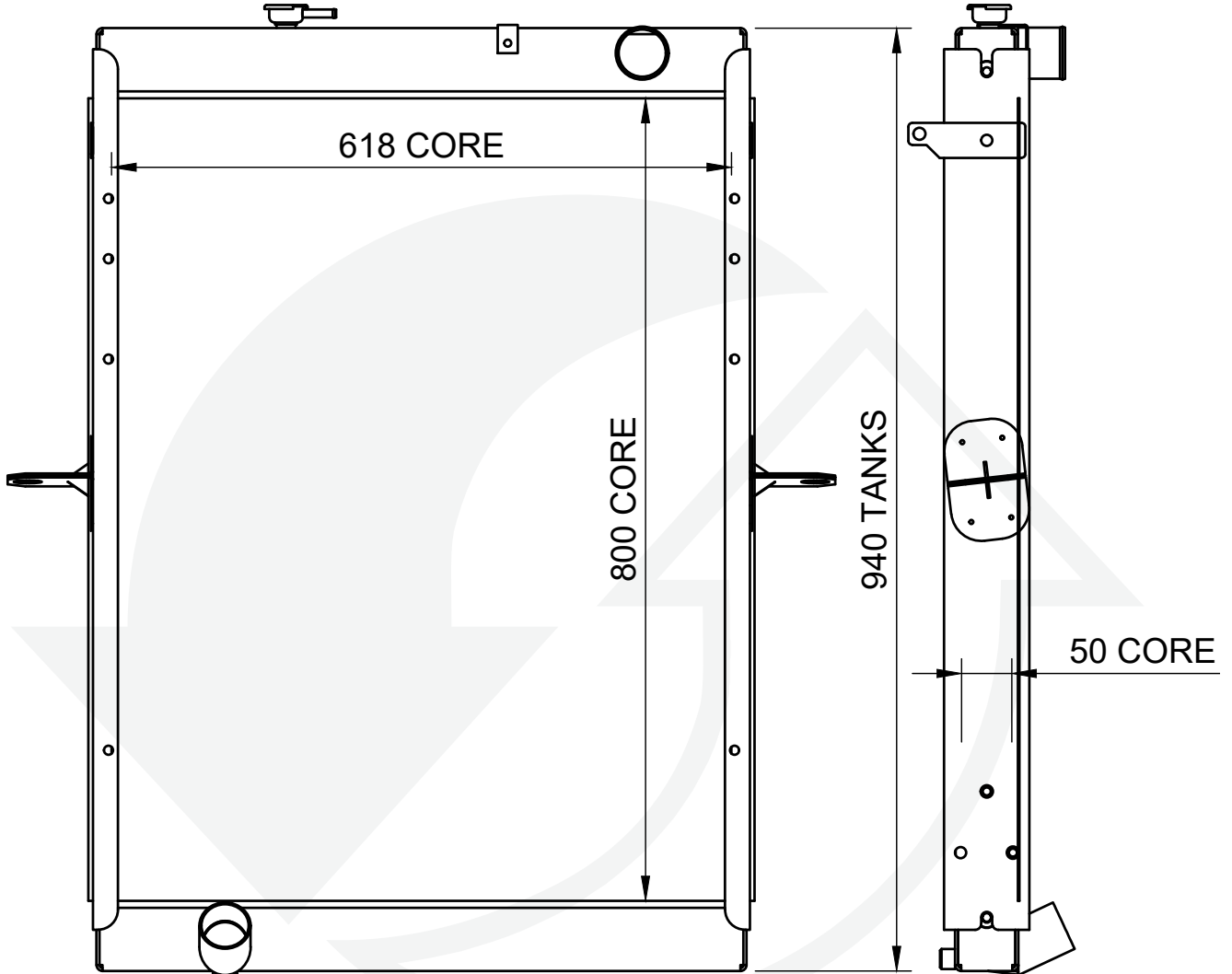
PART NUMBER: RAD450FOR1COM

# FORD RANGER 2.2 & 3.2



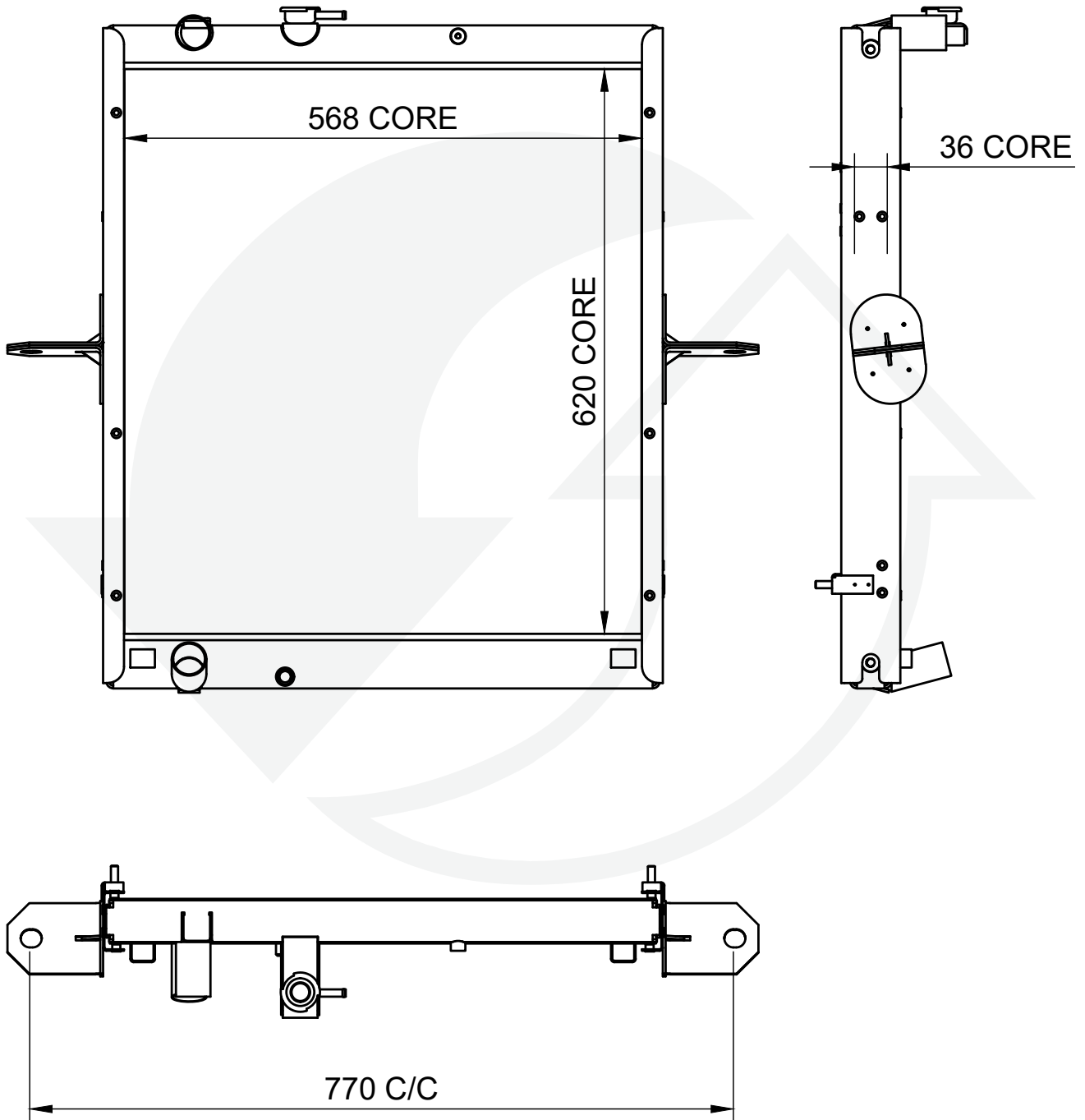
PART NUMBER: RAD605FOR1COM

# ISUZU FVZ I400



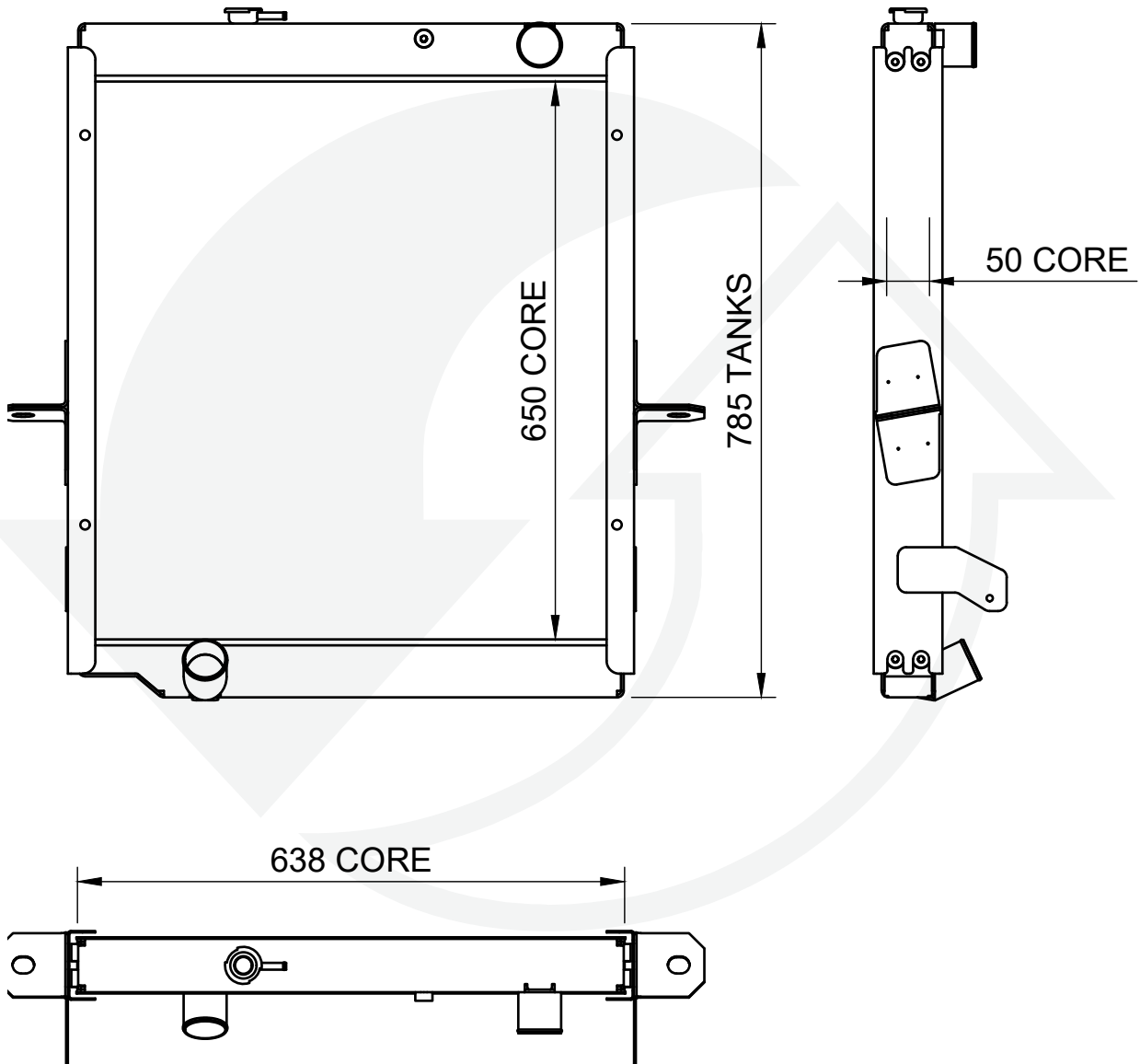
PART NUMBER: RAD800ISU1COM

# ISUZU NPR 400 & 500



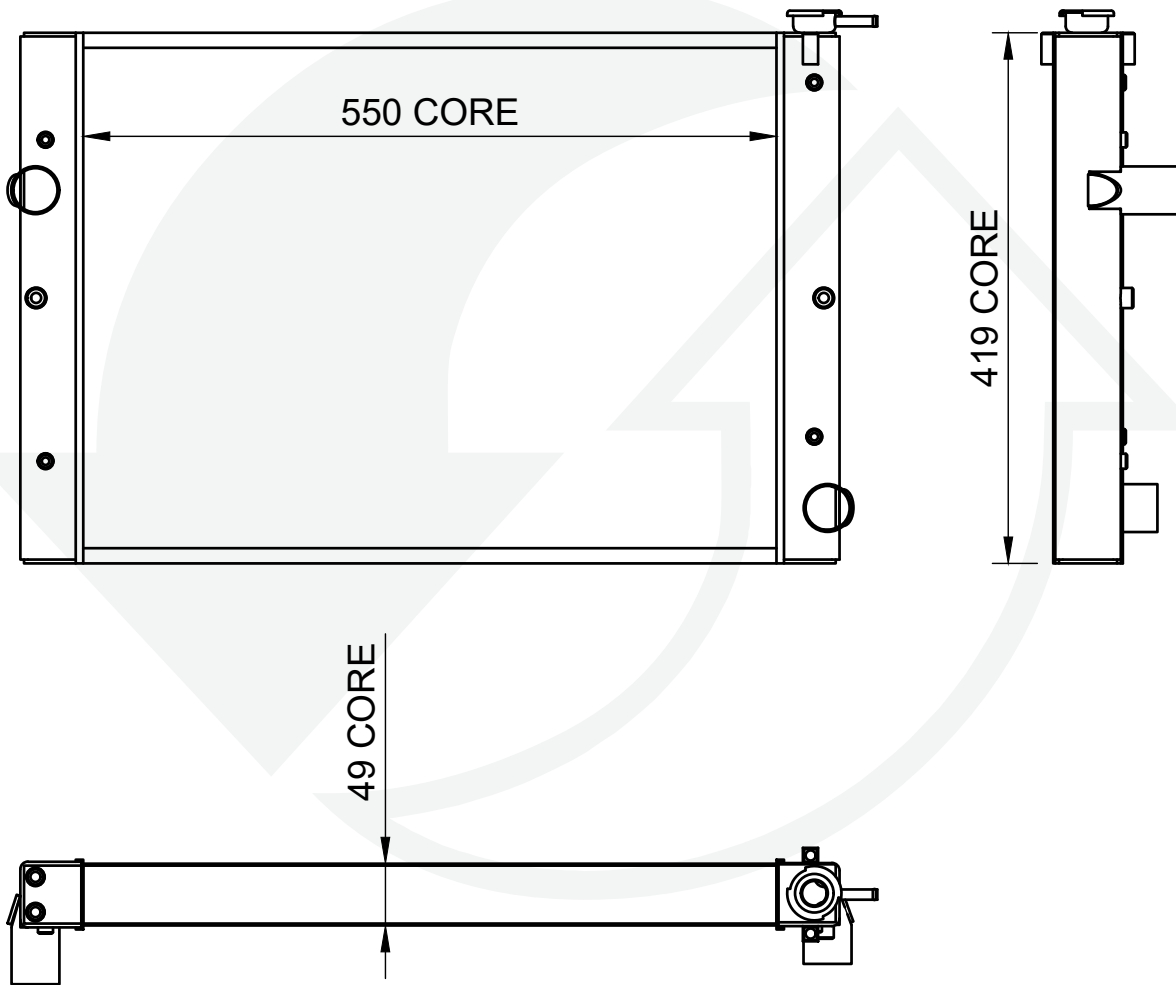
PART NUMBER: RAD620ISU2COM

# ISUZU FTR 850 & 800



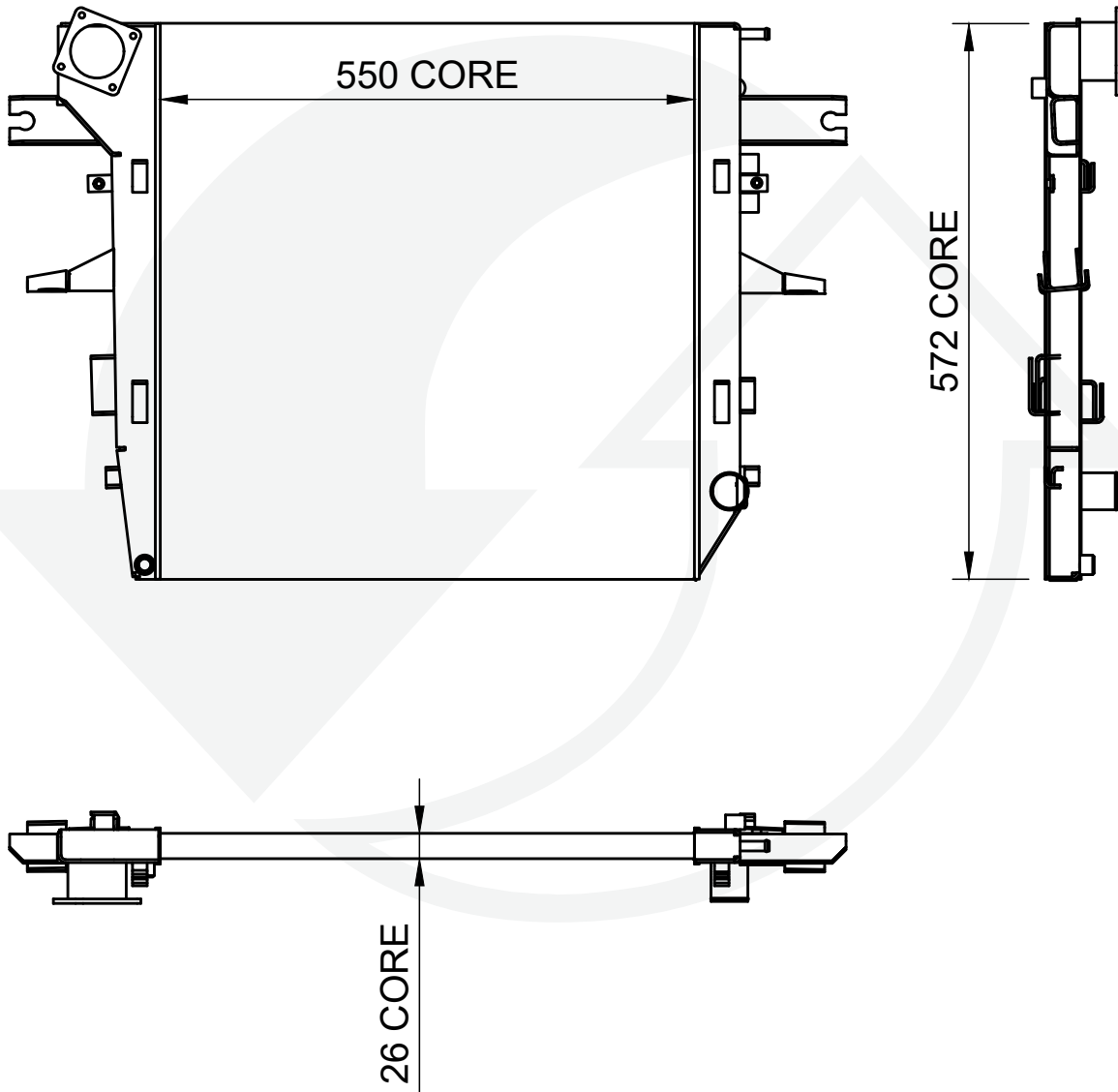
PART NUMBER: RAD650ISU1COM

# MAHINDRA BOLERO



PART NUMBER: RAD550MAH1COM

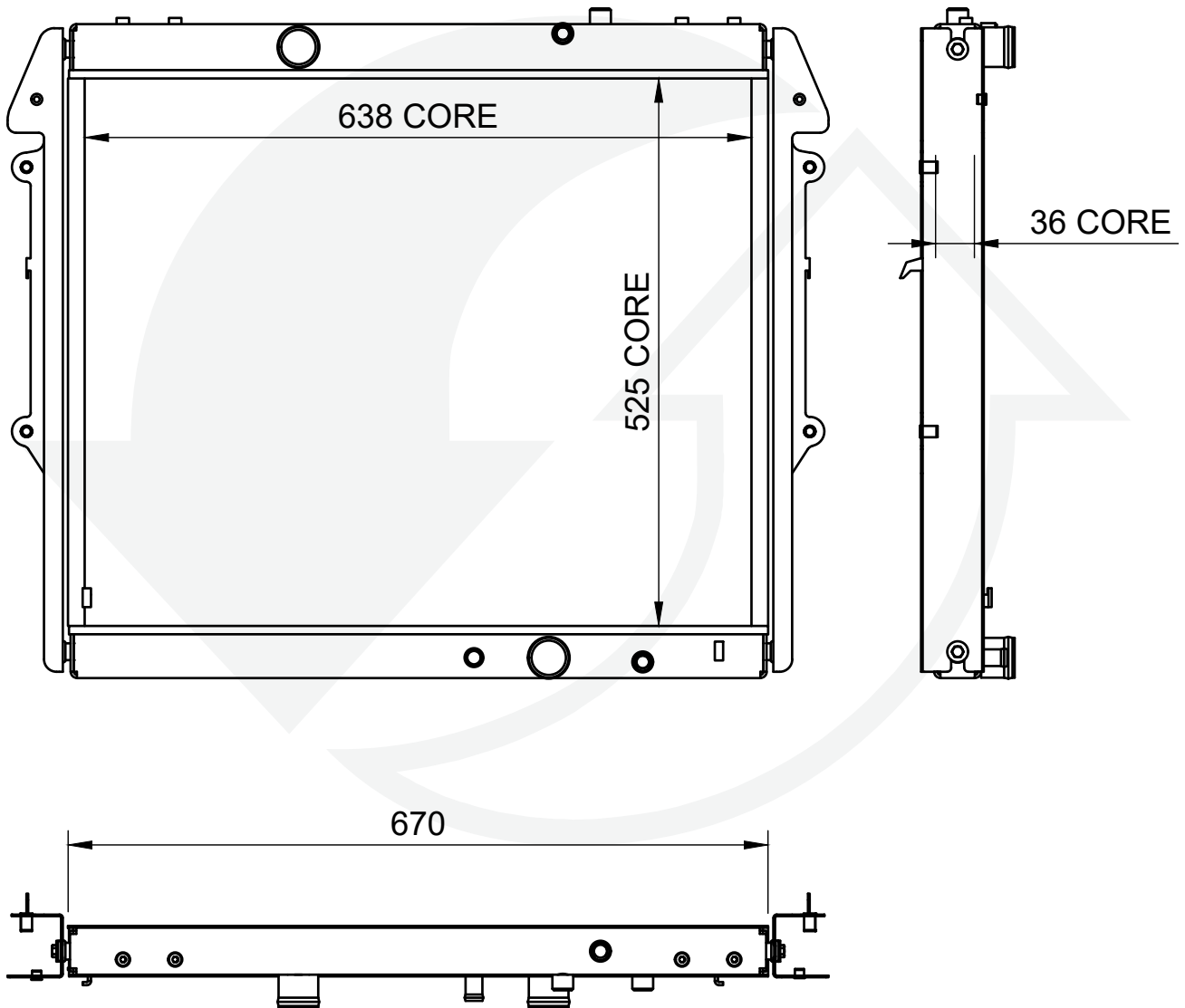
# MAHINDRA SCORPIO MHAWK



PART NUMBER: RAD550MAH2COM



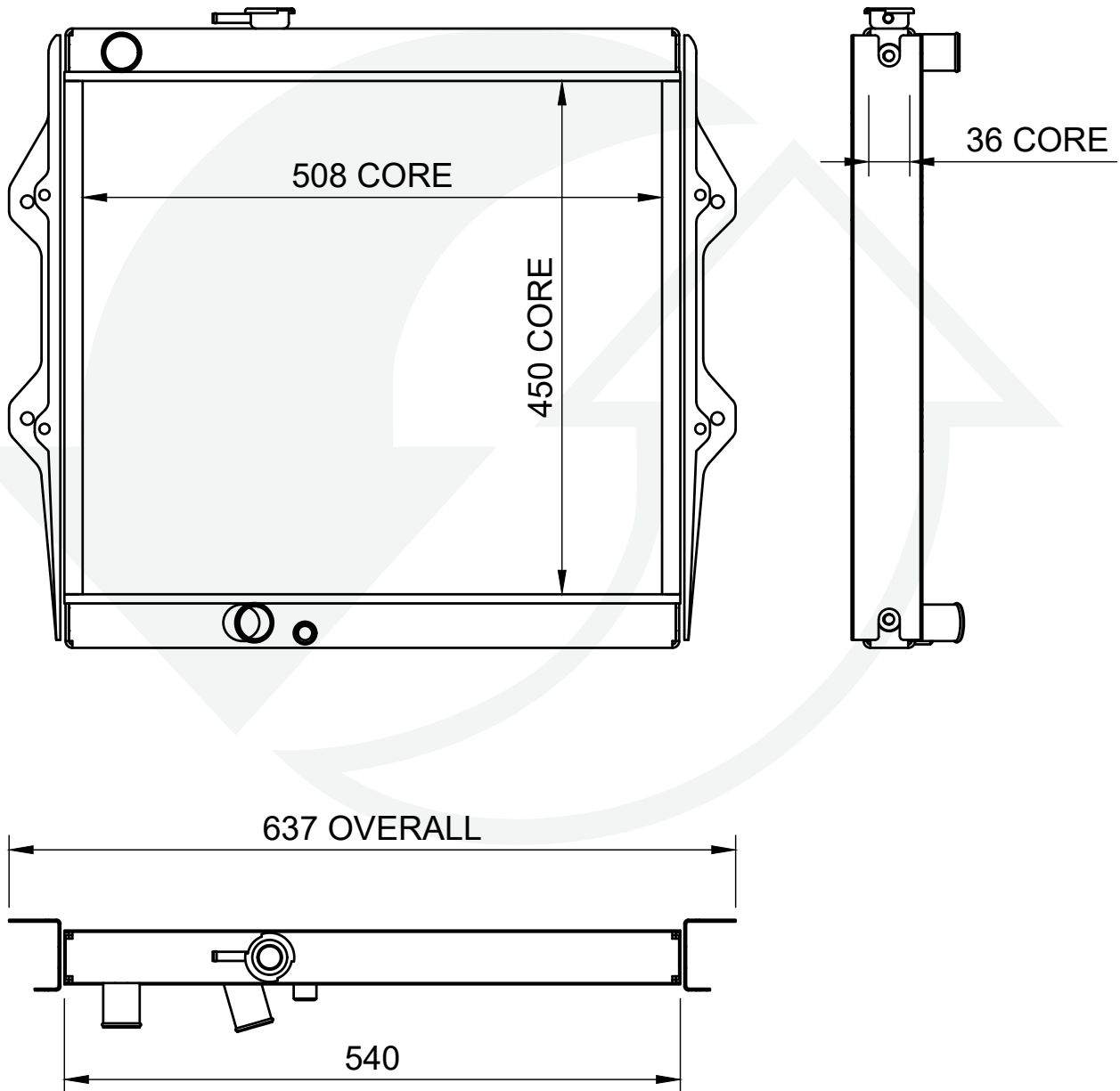
# TOYOTA HILUX D4D



MODEL: (2004-2015)

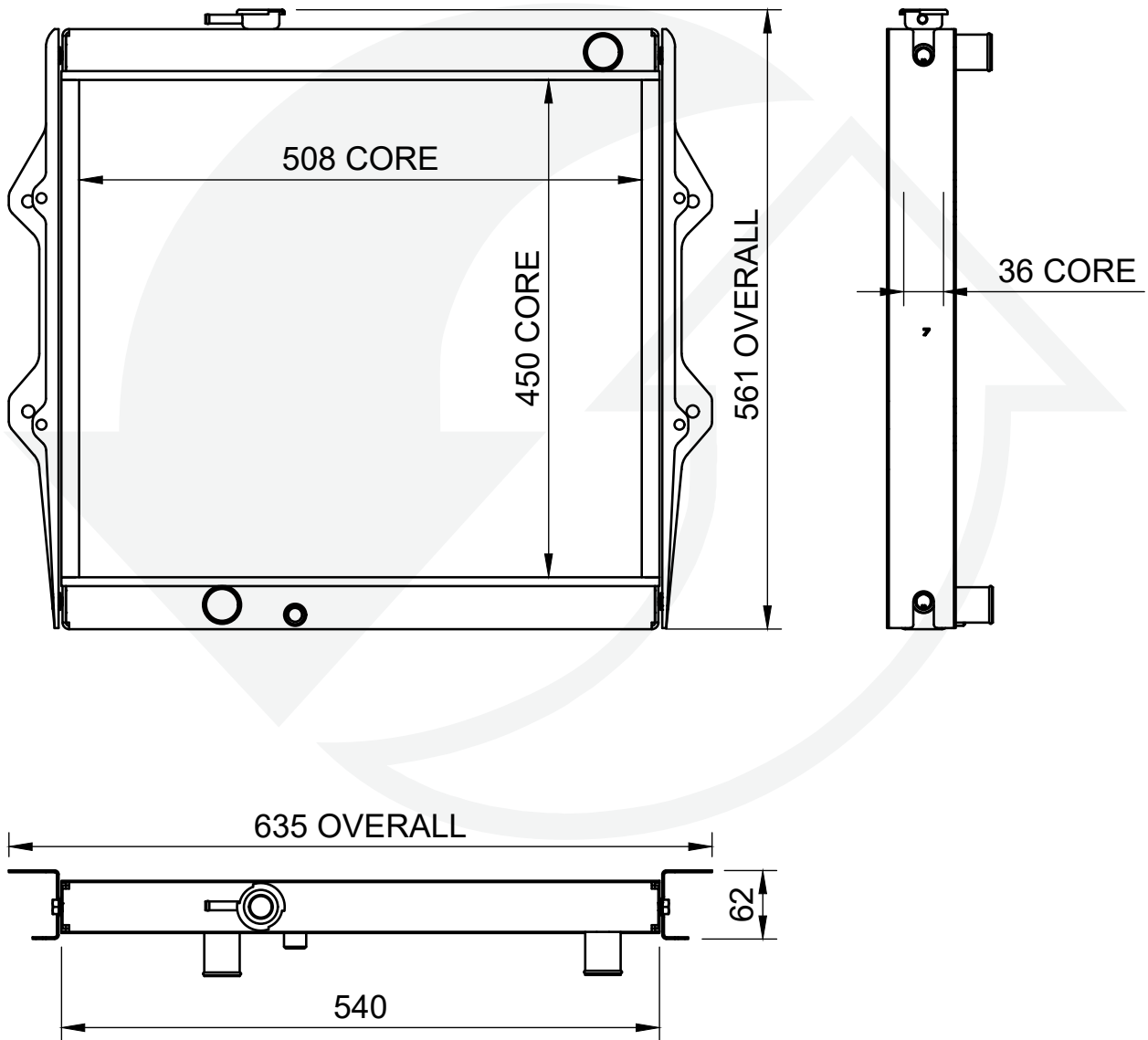
PART NUMBER: RAD525TOY1COM

# TOYOTA HILUX 98 2400i



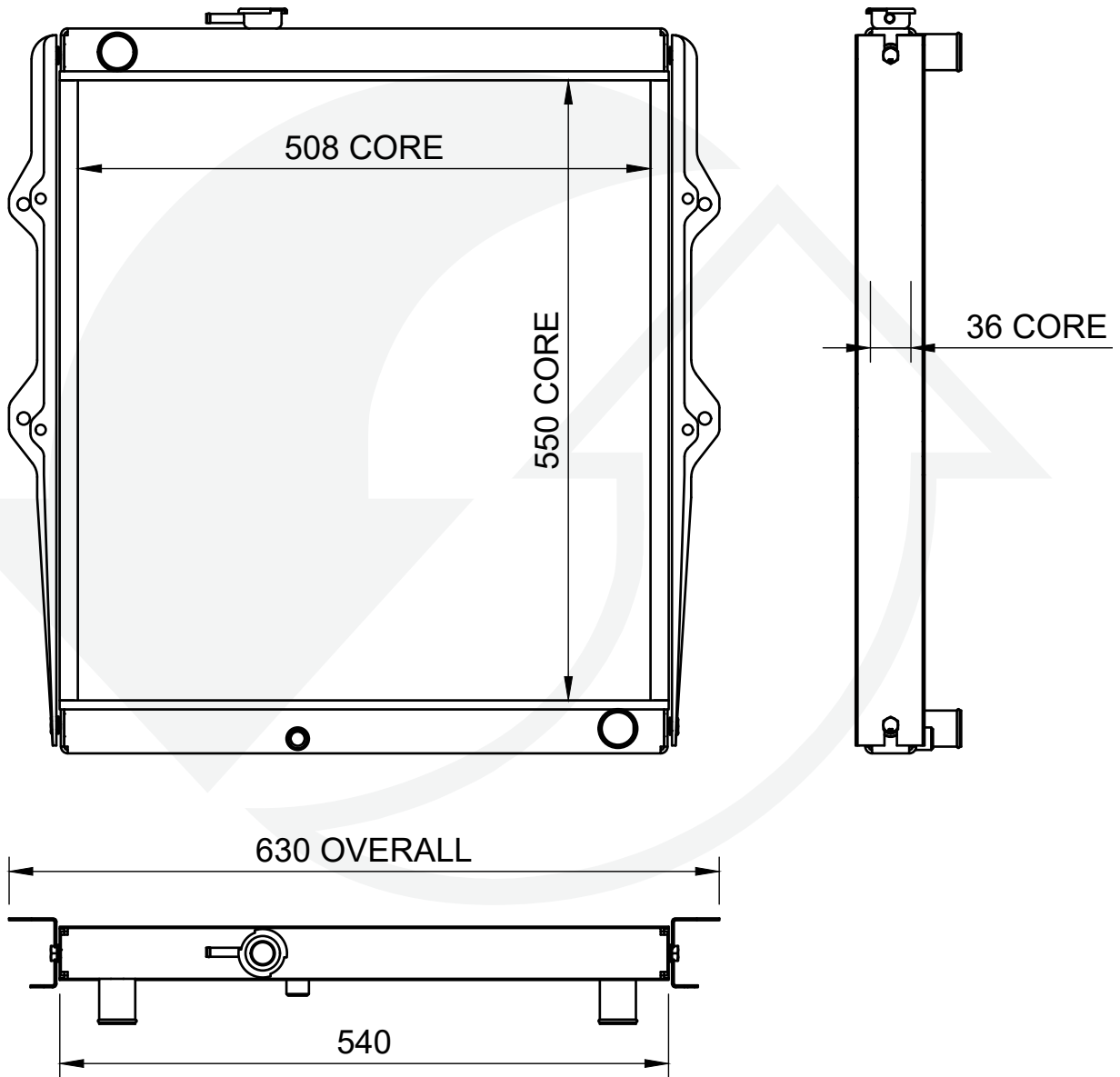
PART NUMBER: RAD450TOY2COM

# TOYOTA HILUX 98 2700i



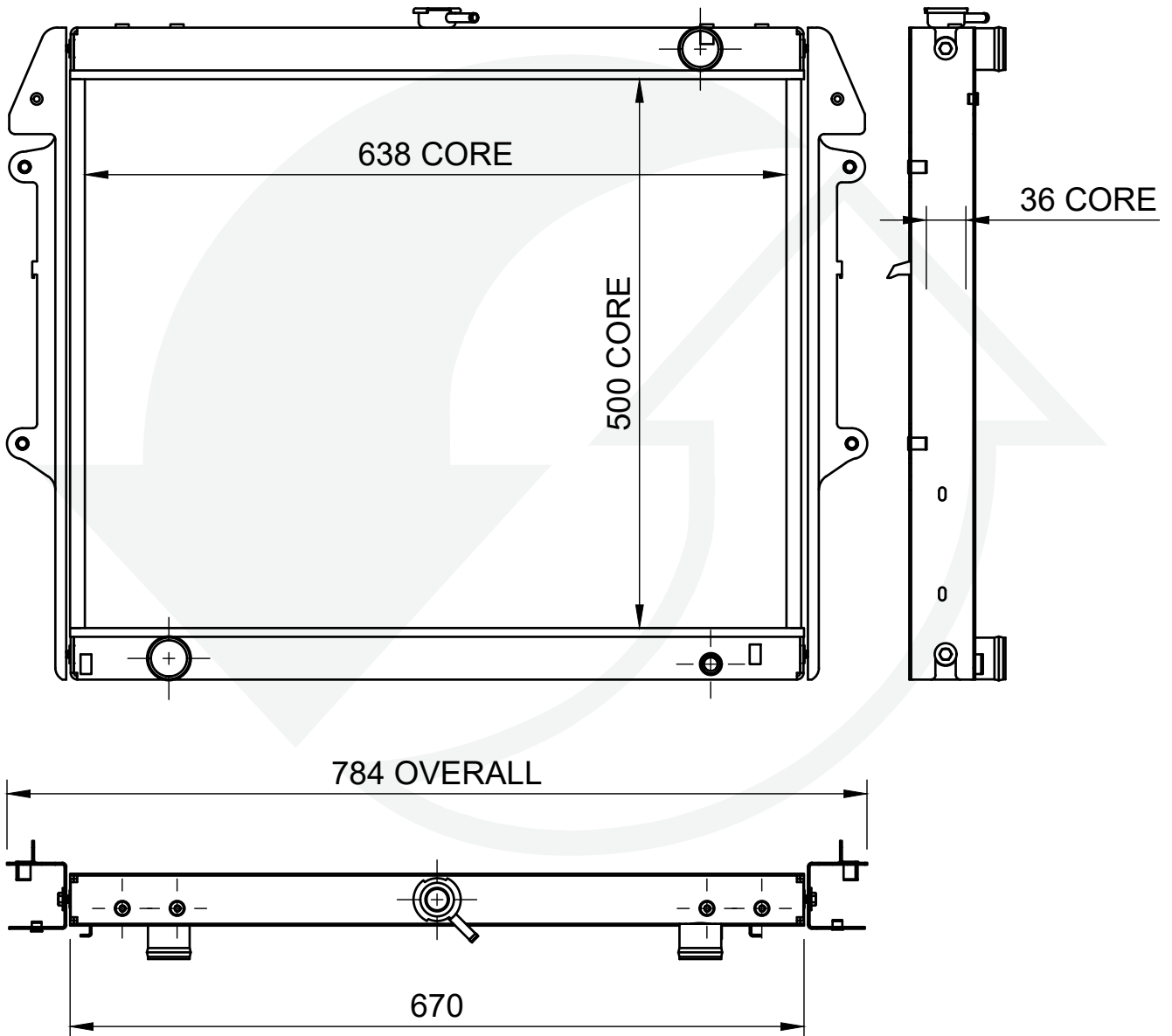
PART NUMBER: RAD450TOY3COM

# TOYOTA HILUX 98 KZTE



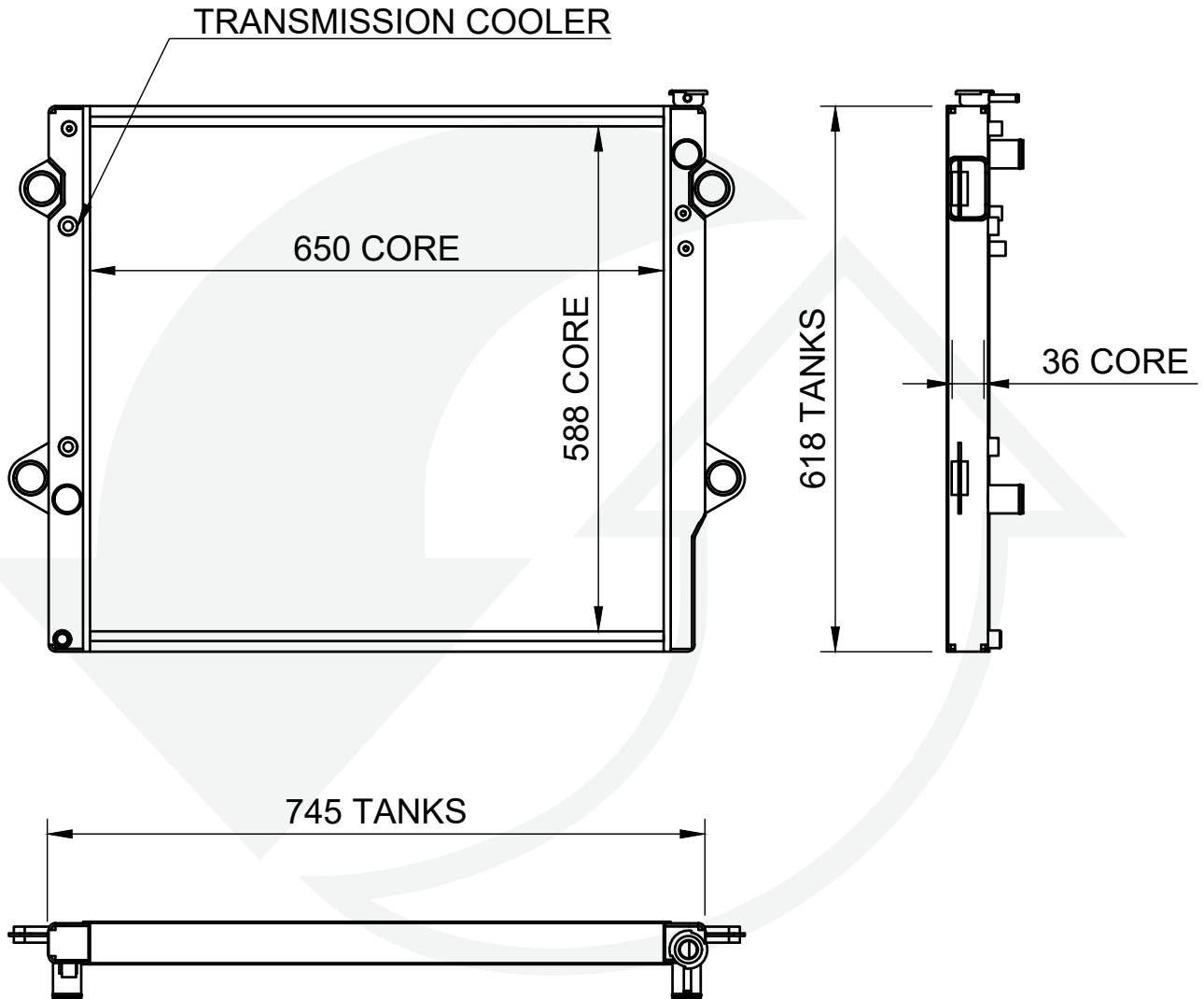
PART NUMBER: RAD550TOY1COM

# TOYOTA HILUX 2.0i & 2.7i



PART NUMBER: RAD500TOY1COM

# TOYOTA PRADO (2002-2008)

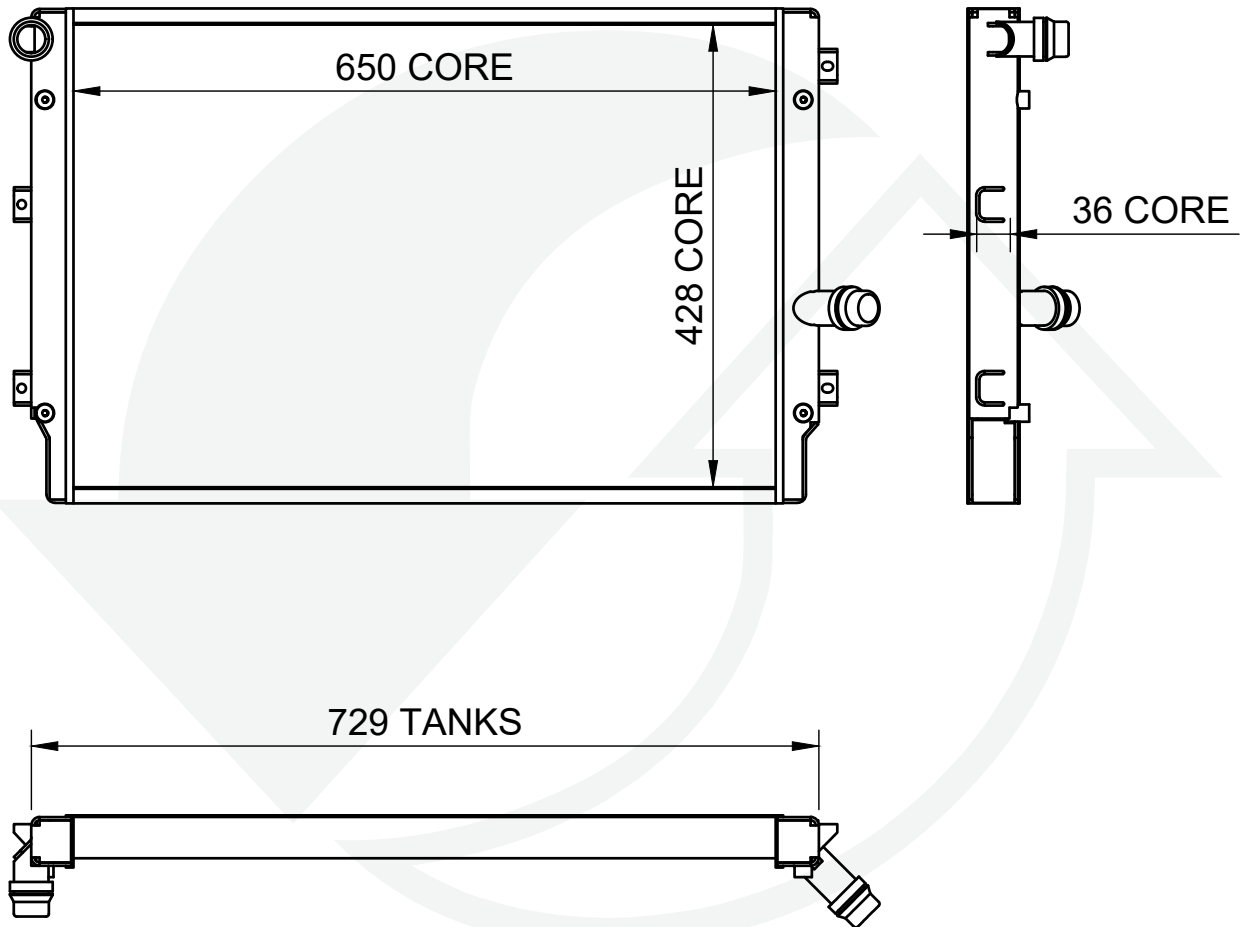


\*FROM JANUARY 2025



PART NUMBER: RAD650TOY1COM

# VOLKSWAGEN CADDY (2004-2019)



PART NUMBER: RAD650VOL1COM

