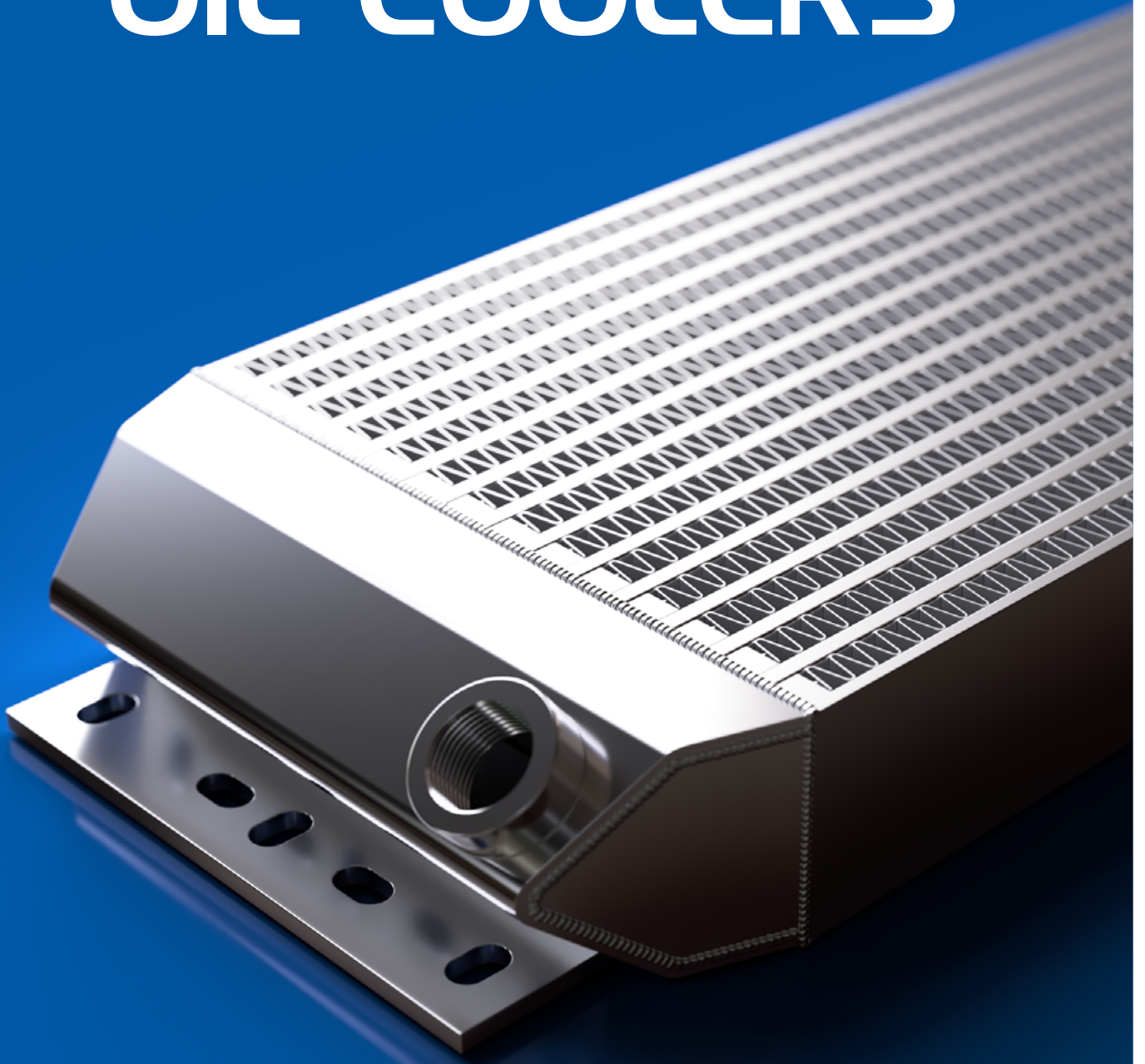


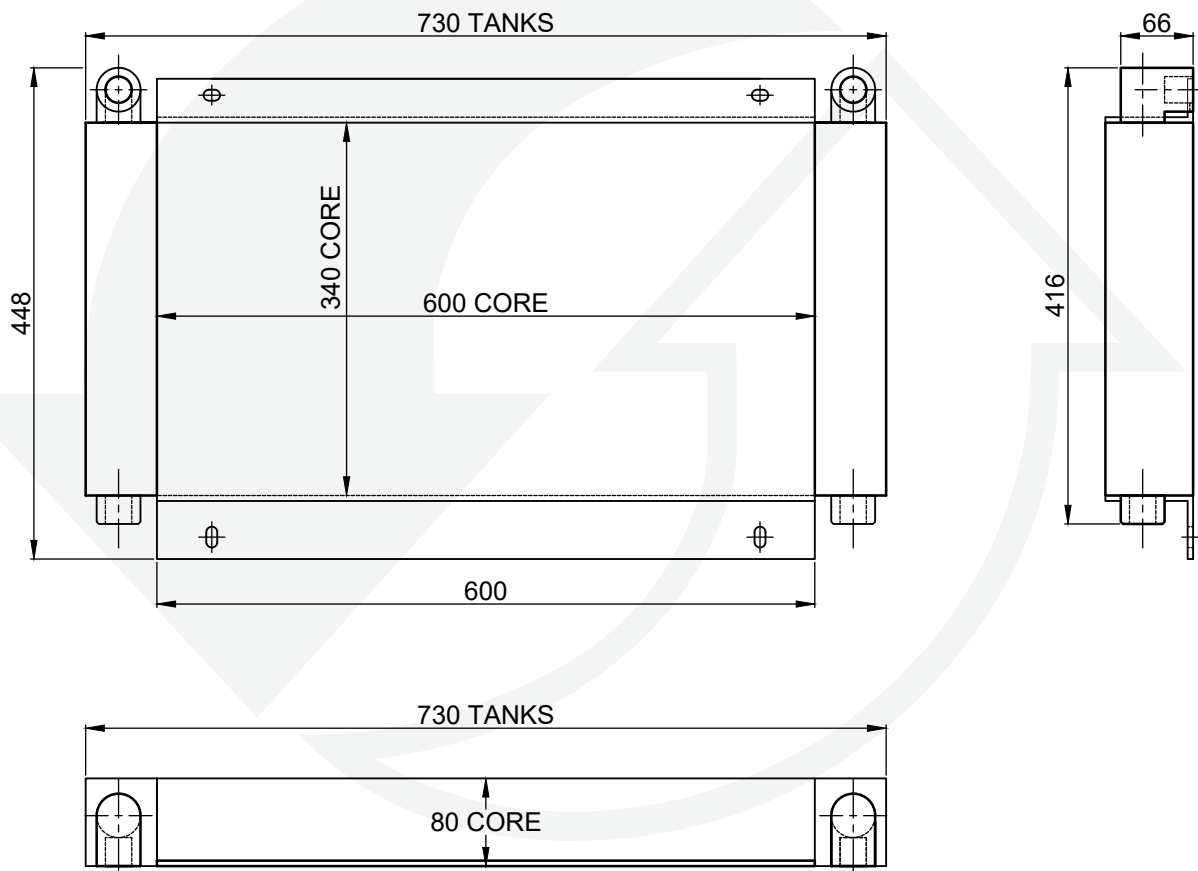
CHE

HEAT TRANSFER PRODUCTS

OIL COOLERS

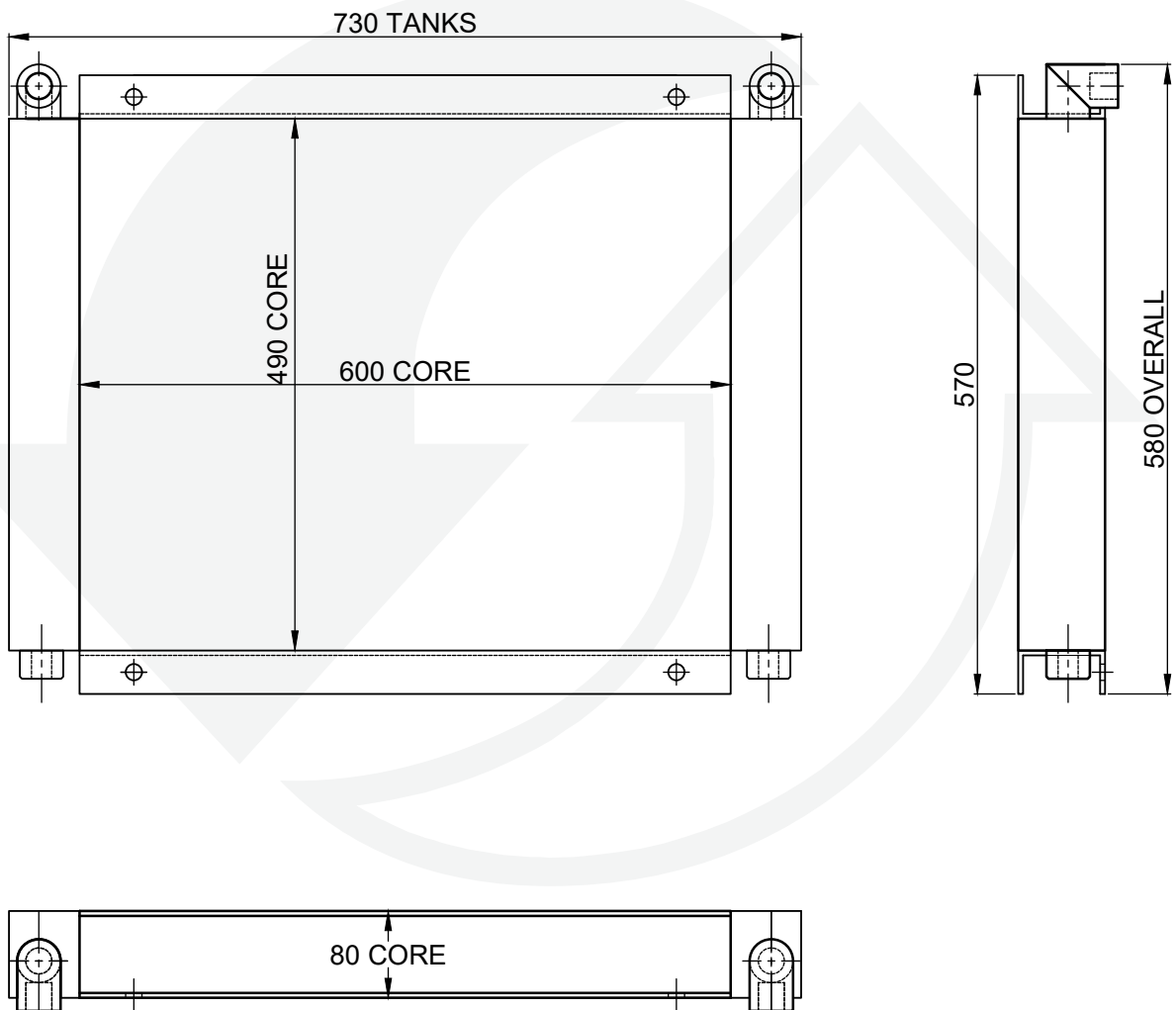


ATLAS COPCO XA 85



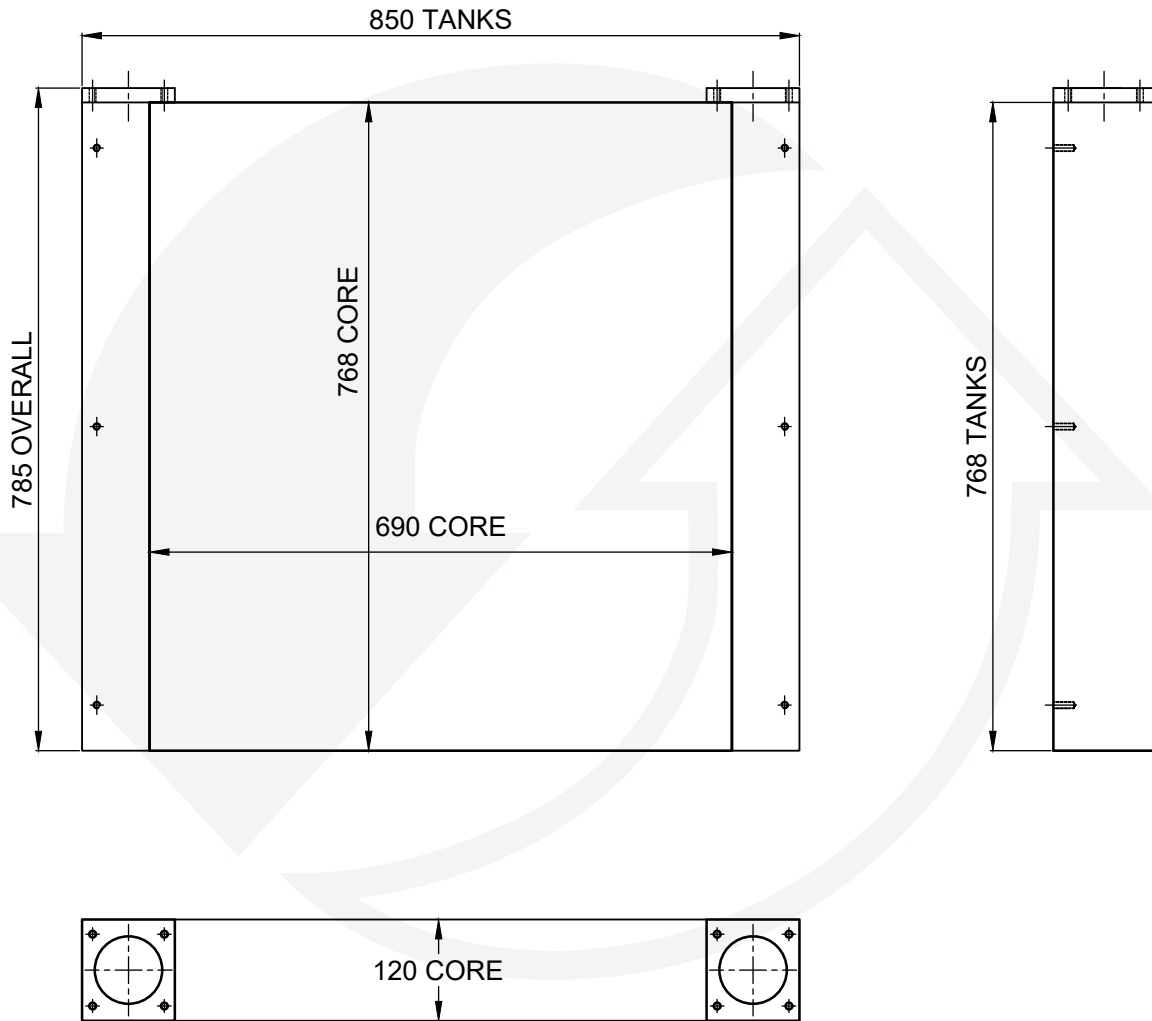
PART NUMBER: OIL614ATL1COM

ATLAS COPCO



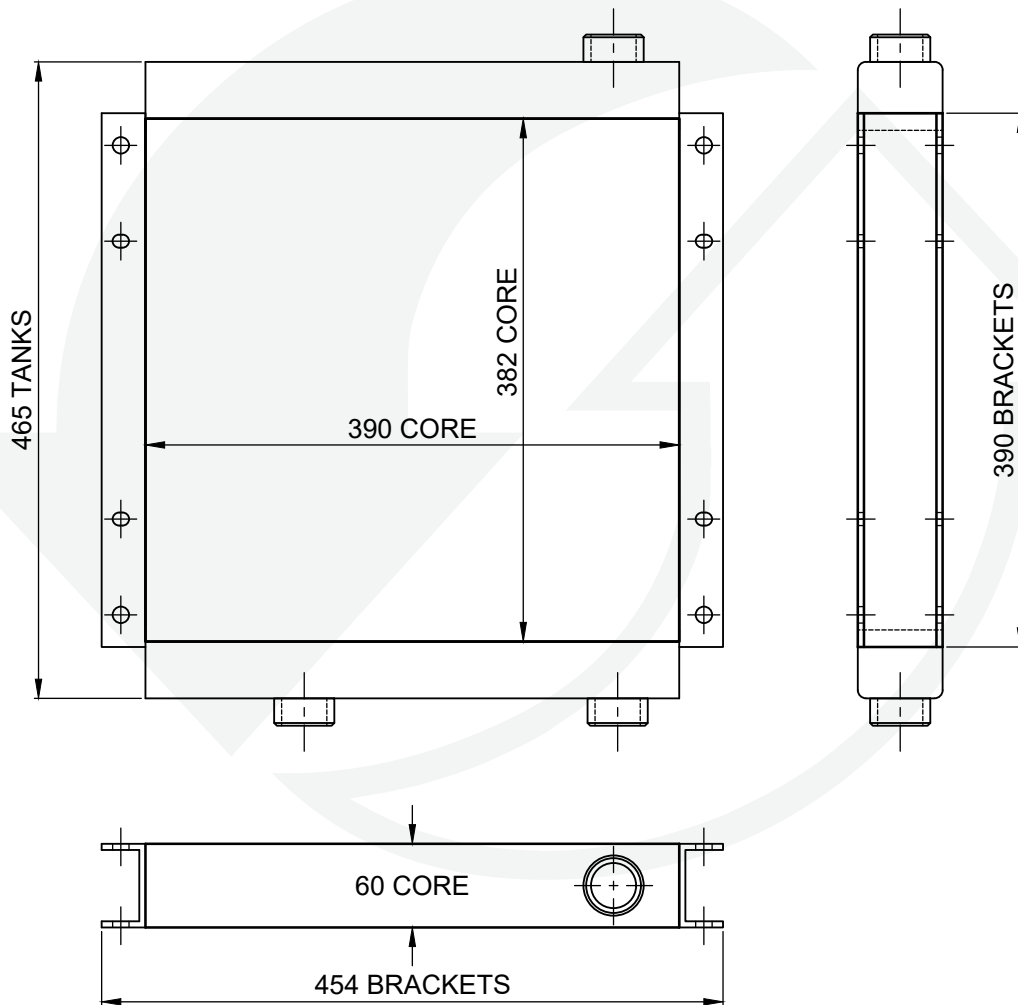
PART NUMBER: OIL614ATL3COM

ATLAS COPCO



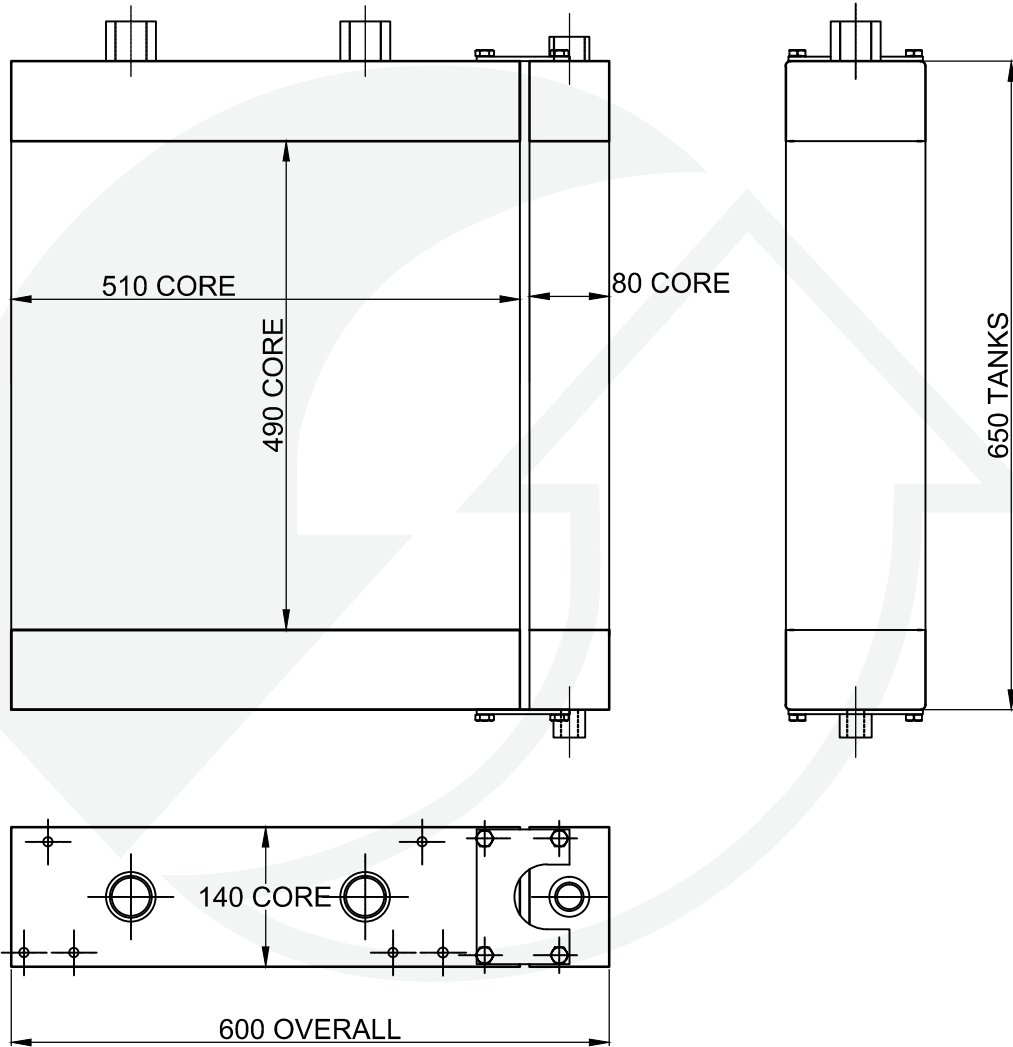
PART NUMBER: OIL684ATL1COM

BELL B40



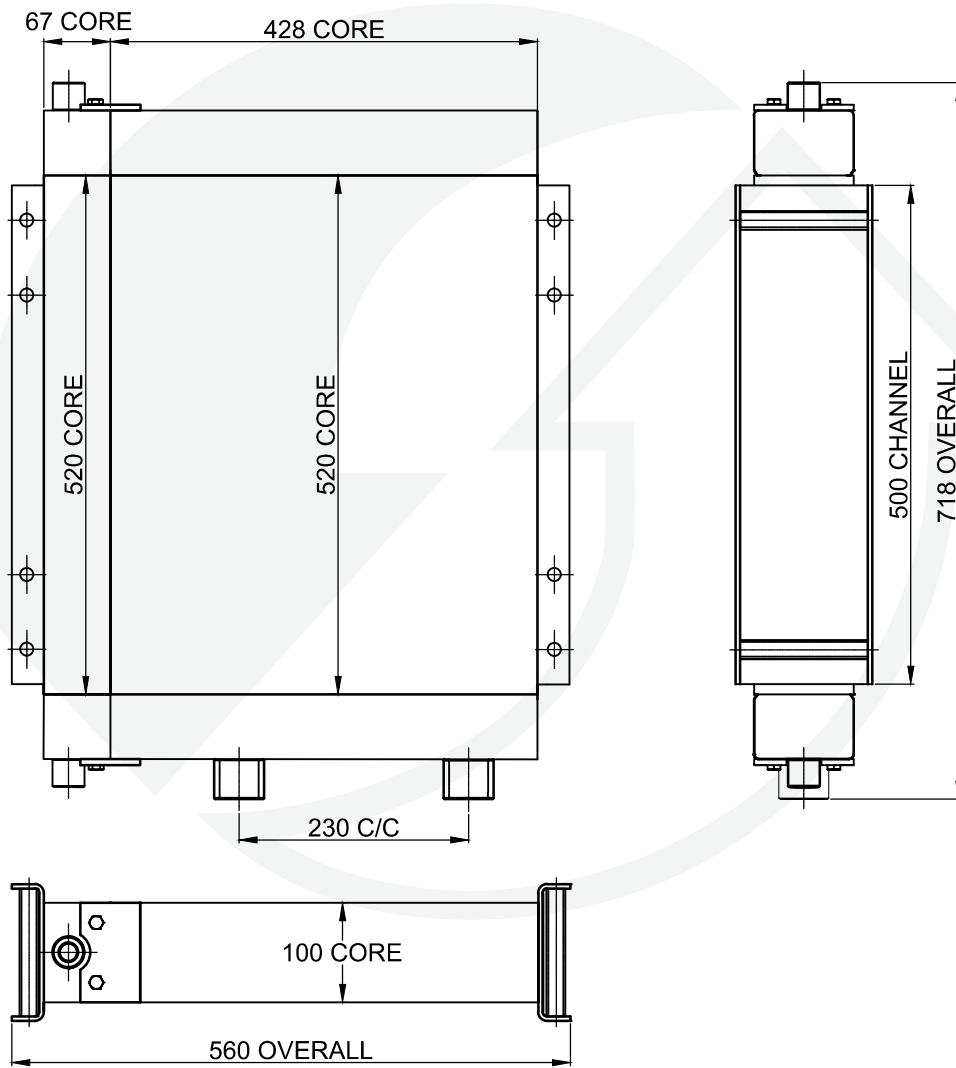
PART NUMBER: OIL390BEL1COM

BELL



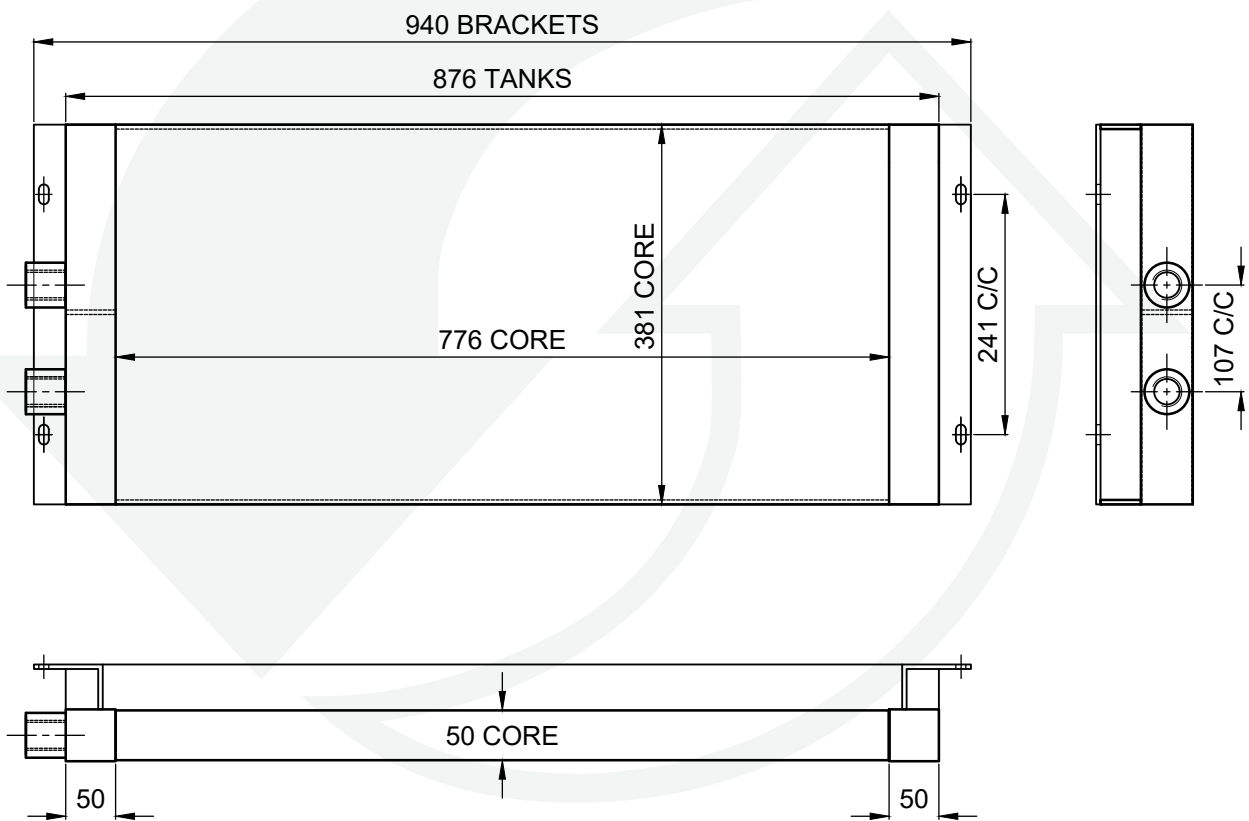
PART NUMBER: OIL490BEL1COM (LARGE)
OIL490BEL2COM (SMALL)

BELL



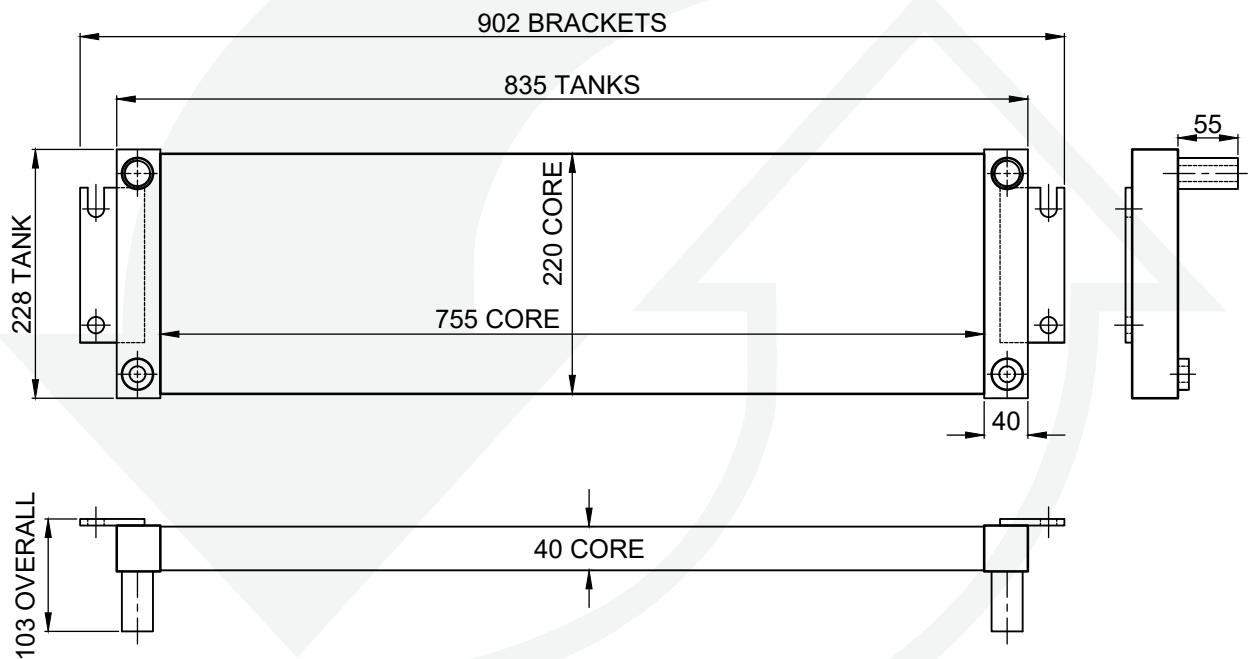
PART NUMBER: OIL533BELL1COM (LARGE)
OIL533BELL2COM (SMALL)

BELL B25 API



PART NUMBER: OIL760BEL1COM

CATERPILLAR 140G

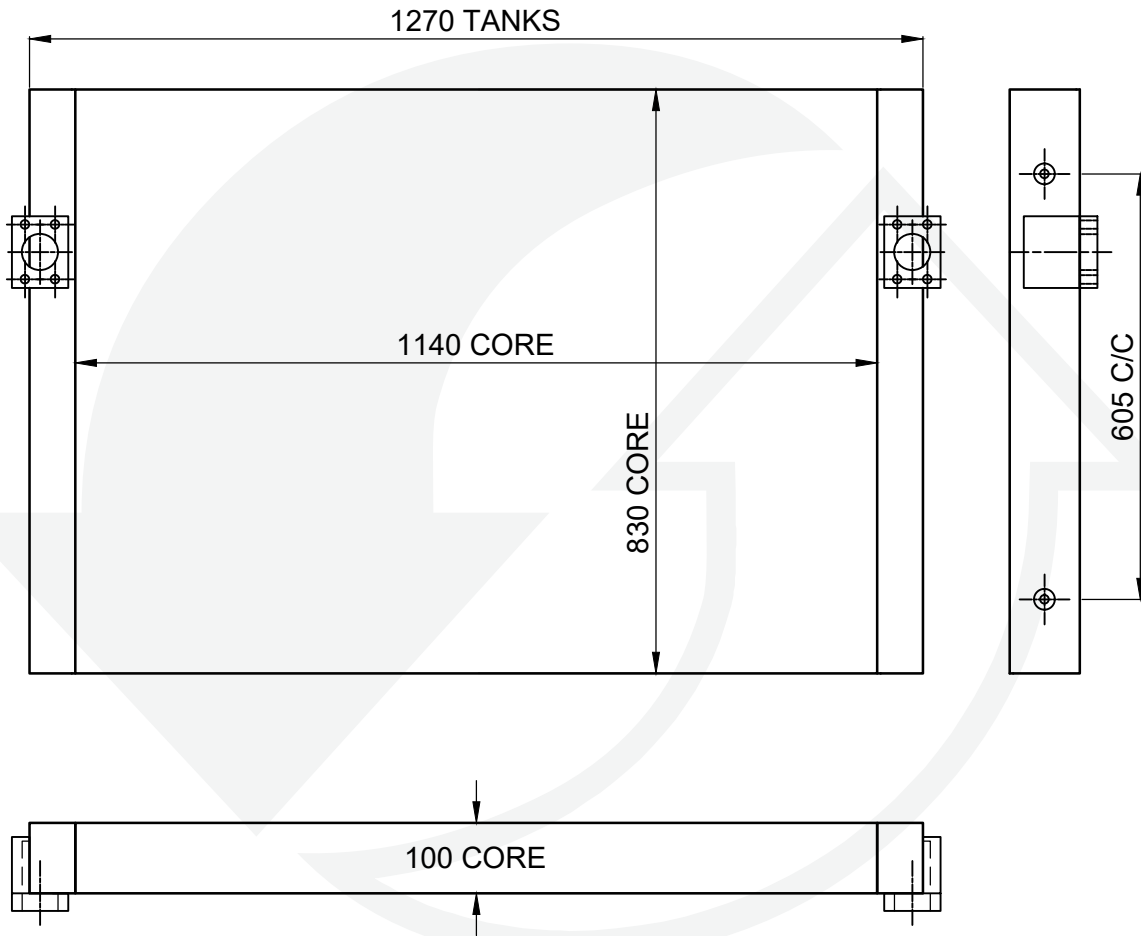


ORIGINAL UNIT IS A STEEL UNIT



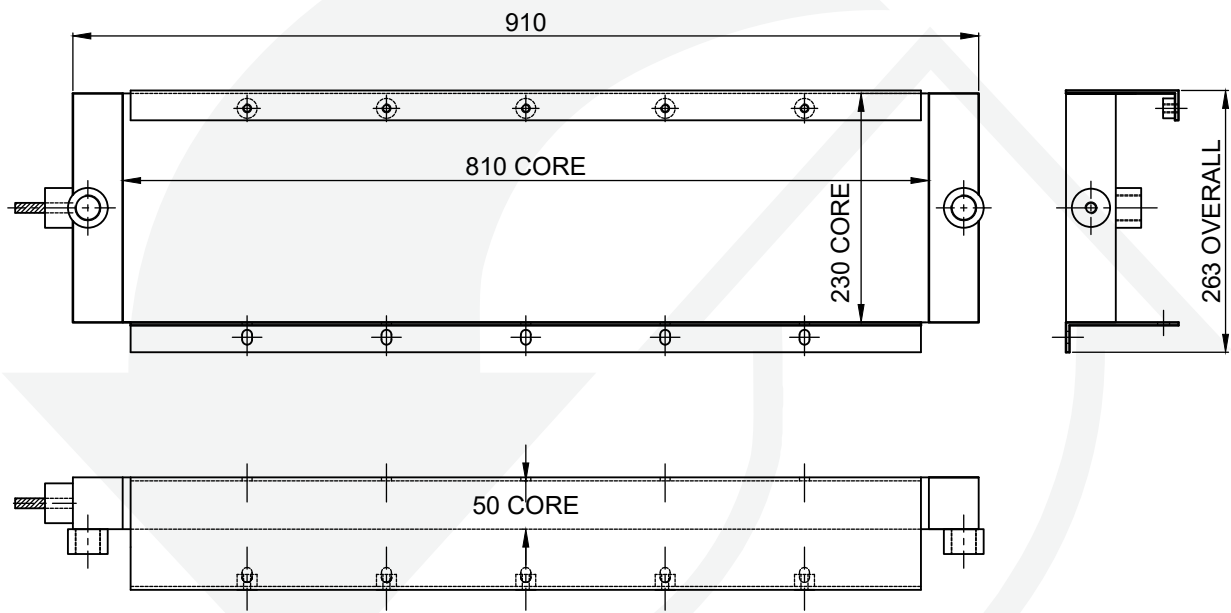
PART NUMBER: OIL739CAT1COM

CATERPILLAR 345D EXCAVATOR



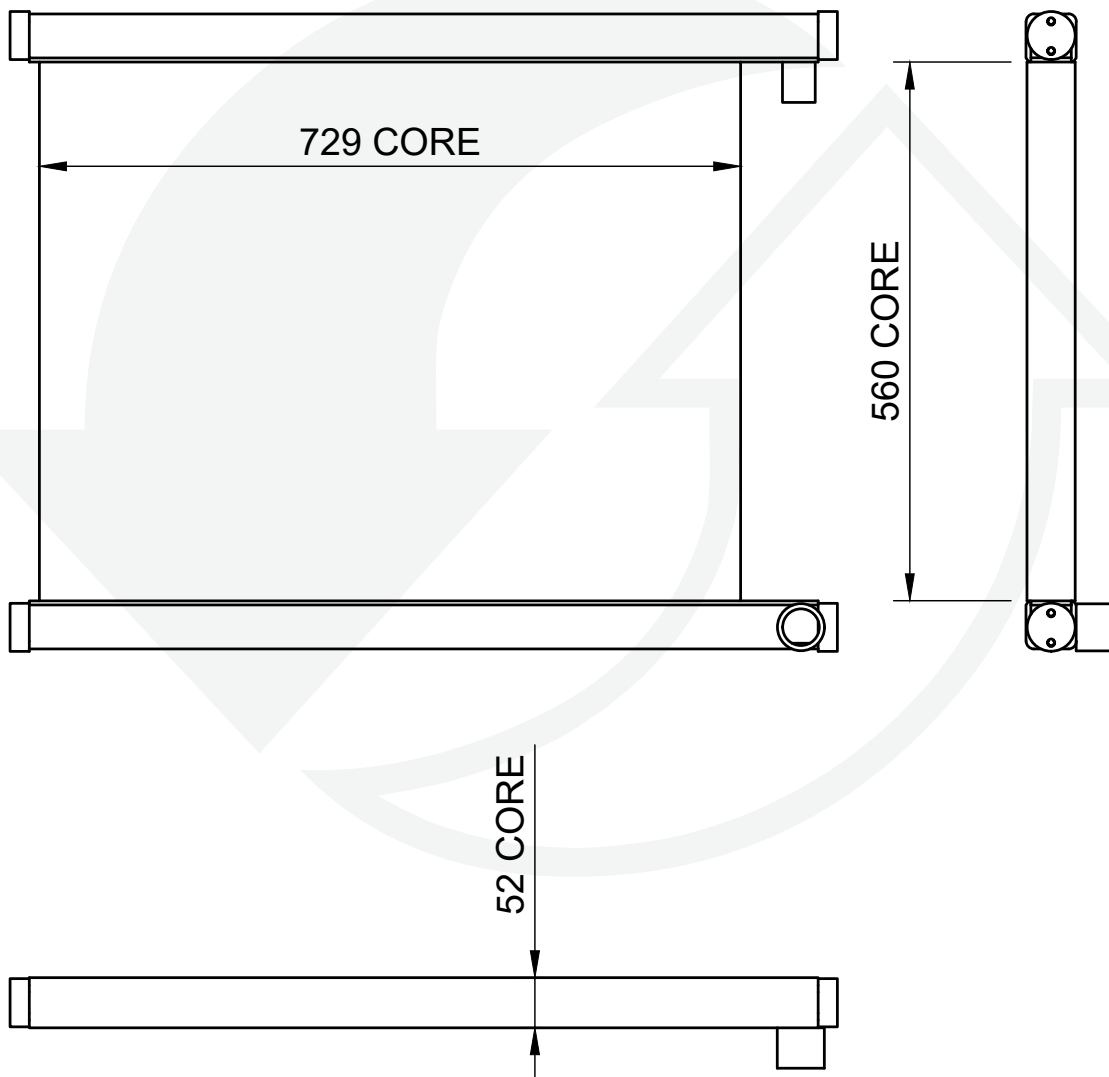
PART NUMBER: OIL1140CAT1COM

GALLION T500/T600



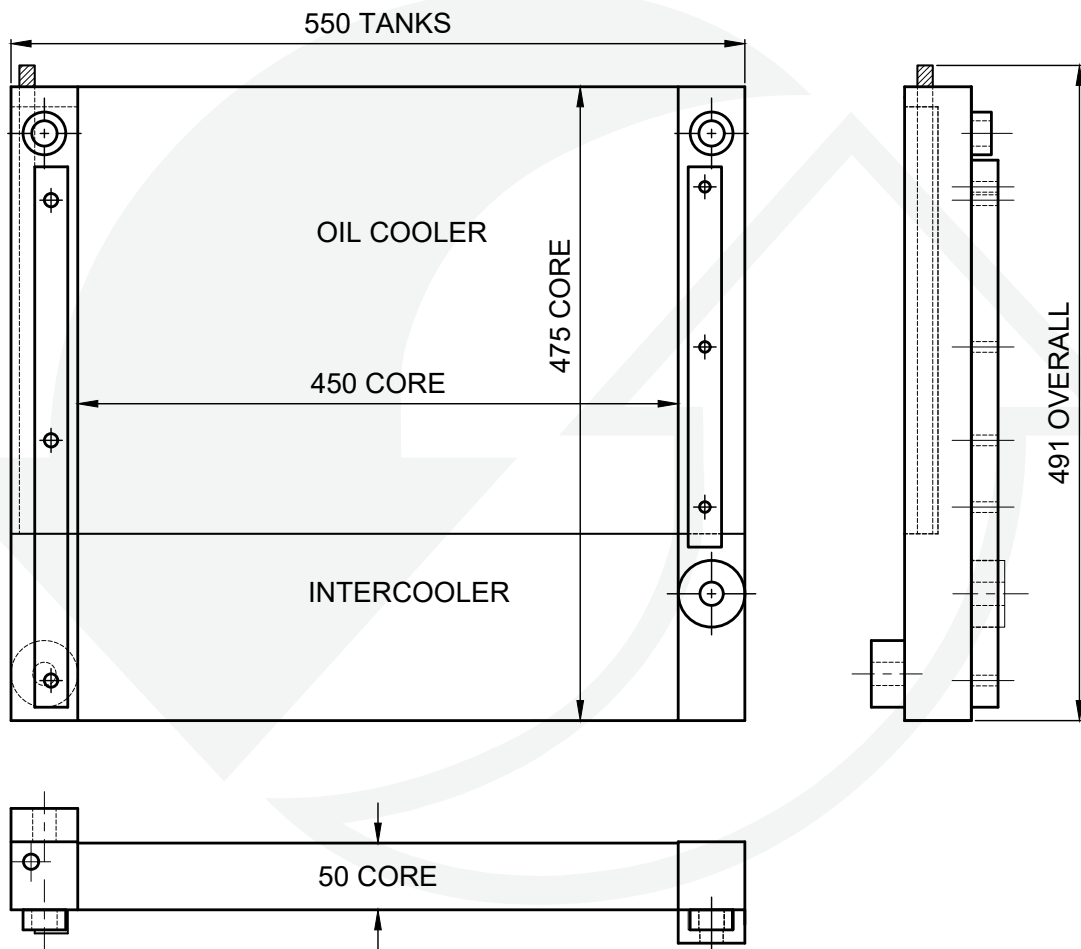
PART NUMBER: OIL794GAL1COM

HITACHI ZX130-5G



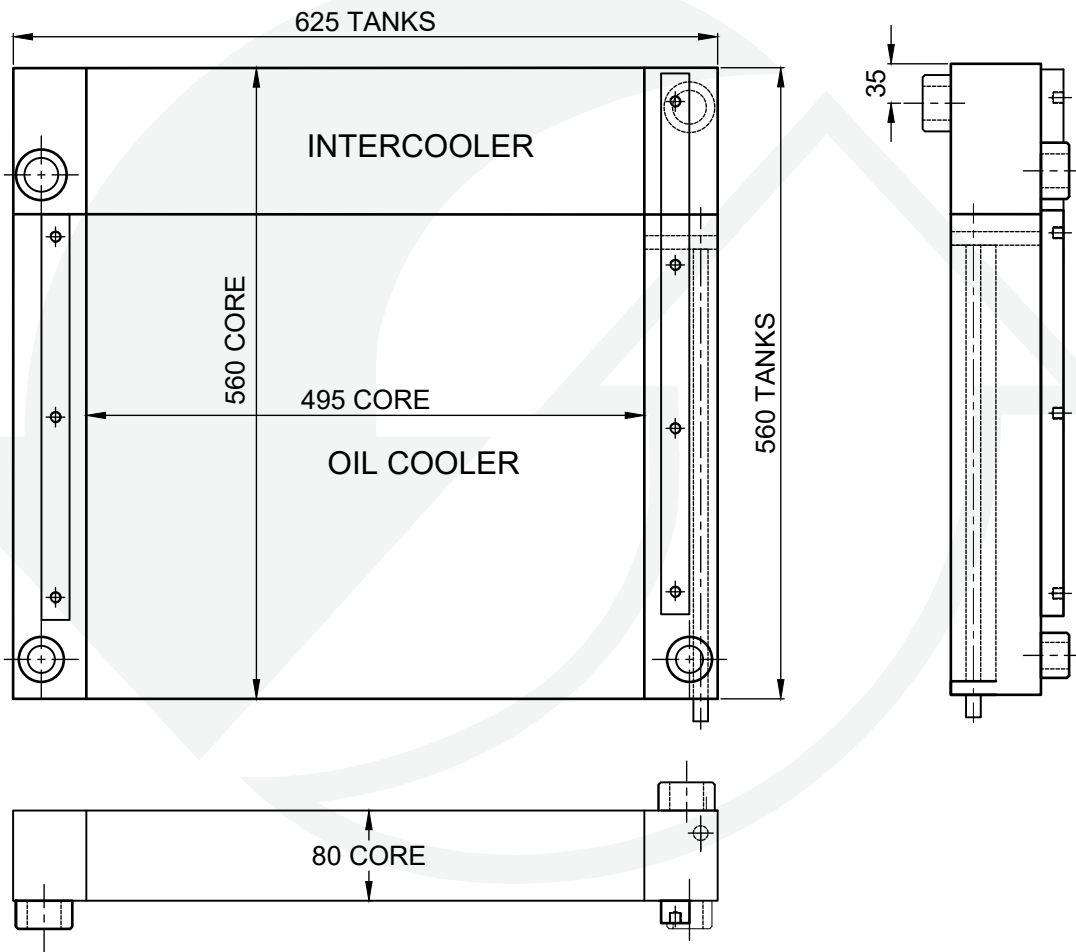
PART NUMBER: OIL560HIT1COM

HYDROVANE



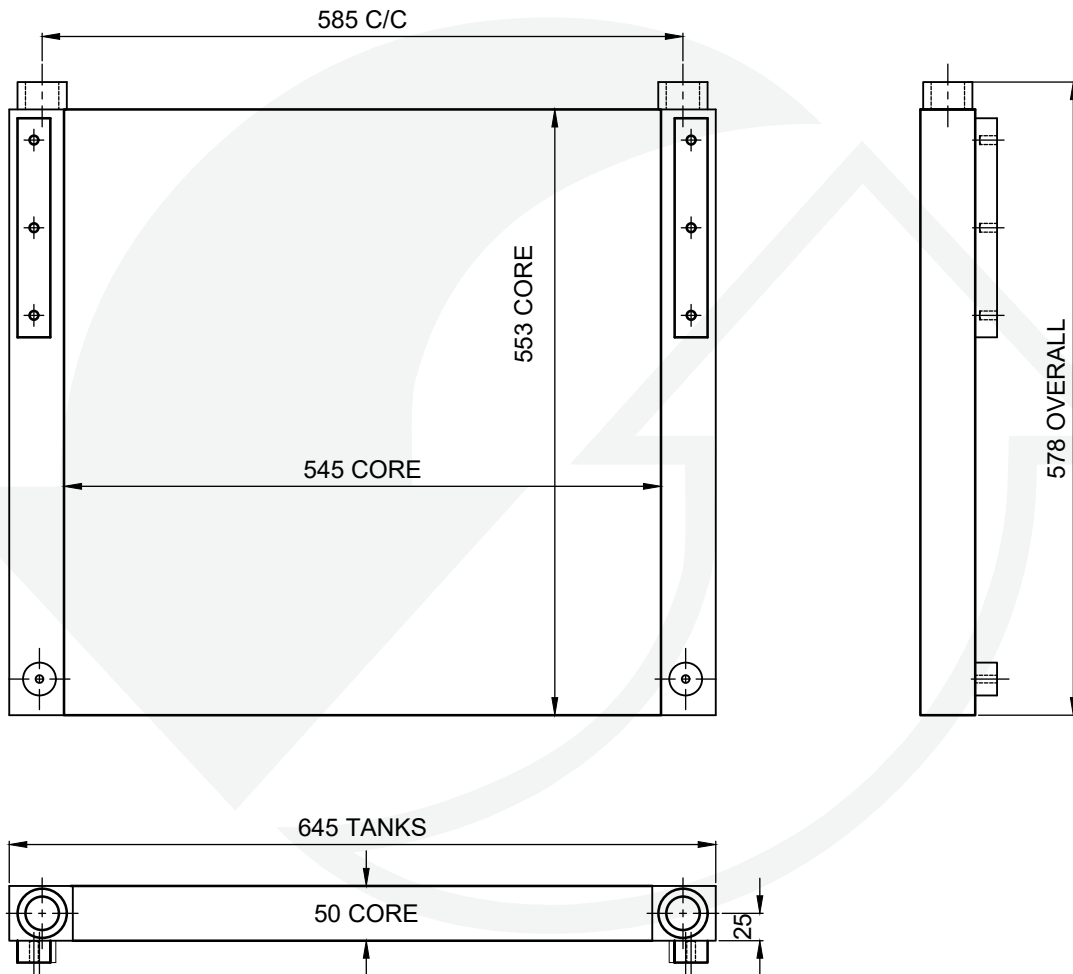
PART NUMBER: OIL434HYD1COM

HYDROVANE



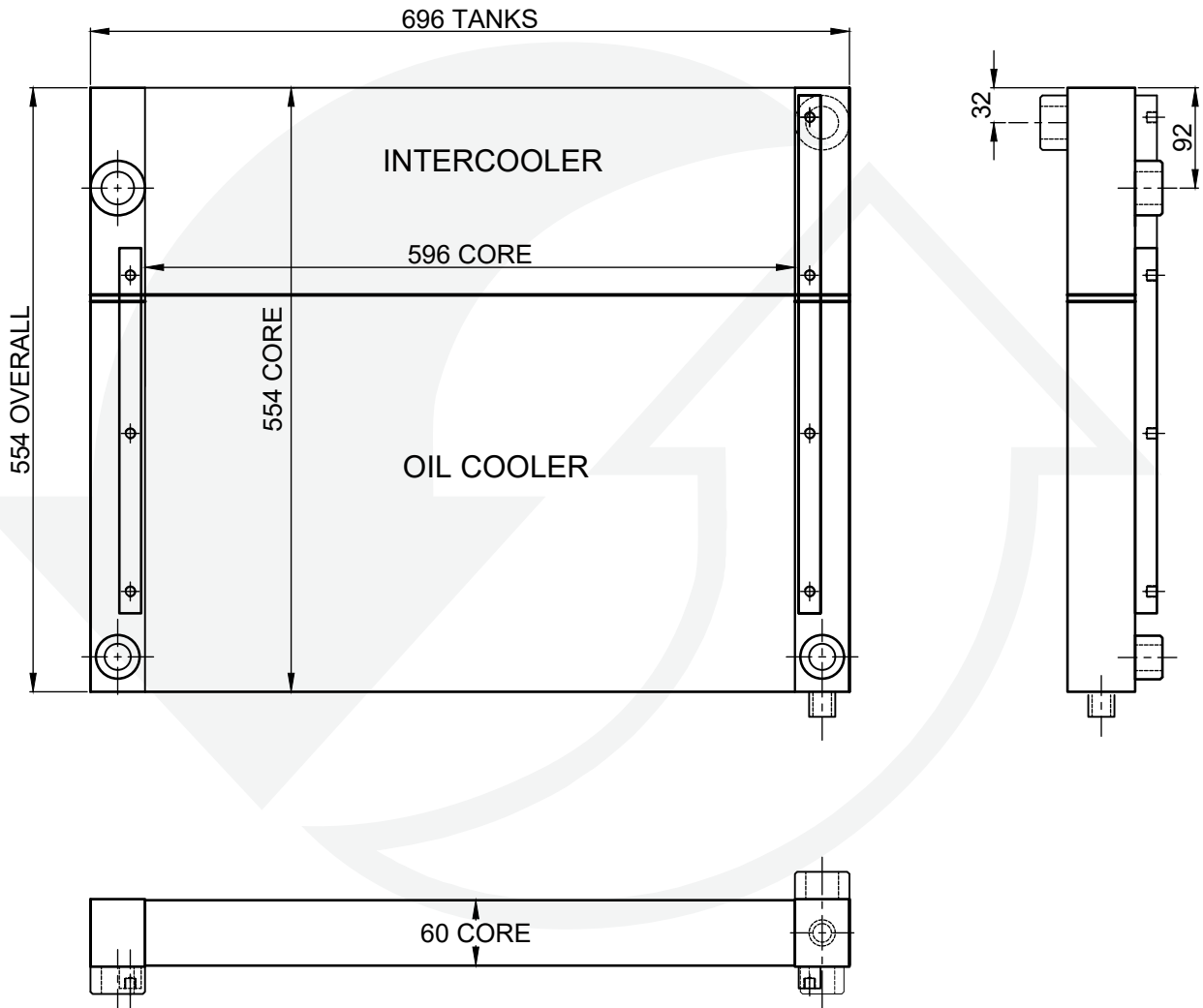
PART NUMBER: OIL509HYD1COM

HYDROVANE



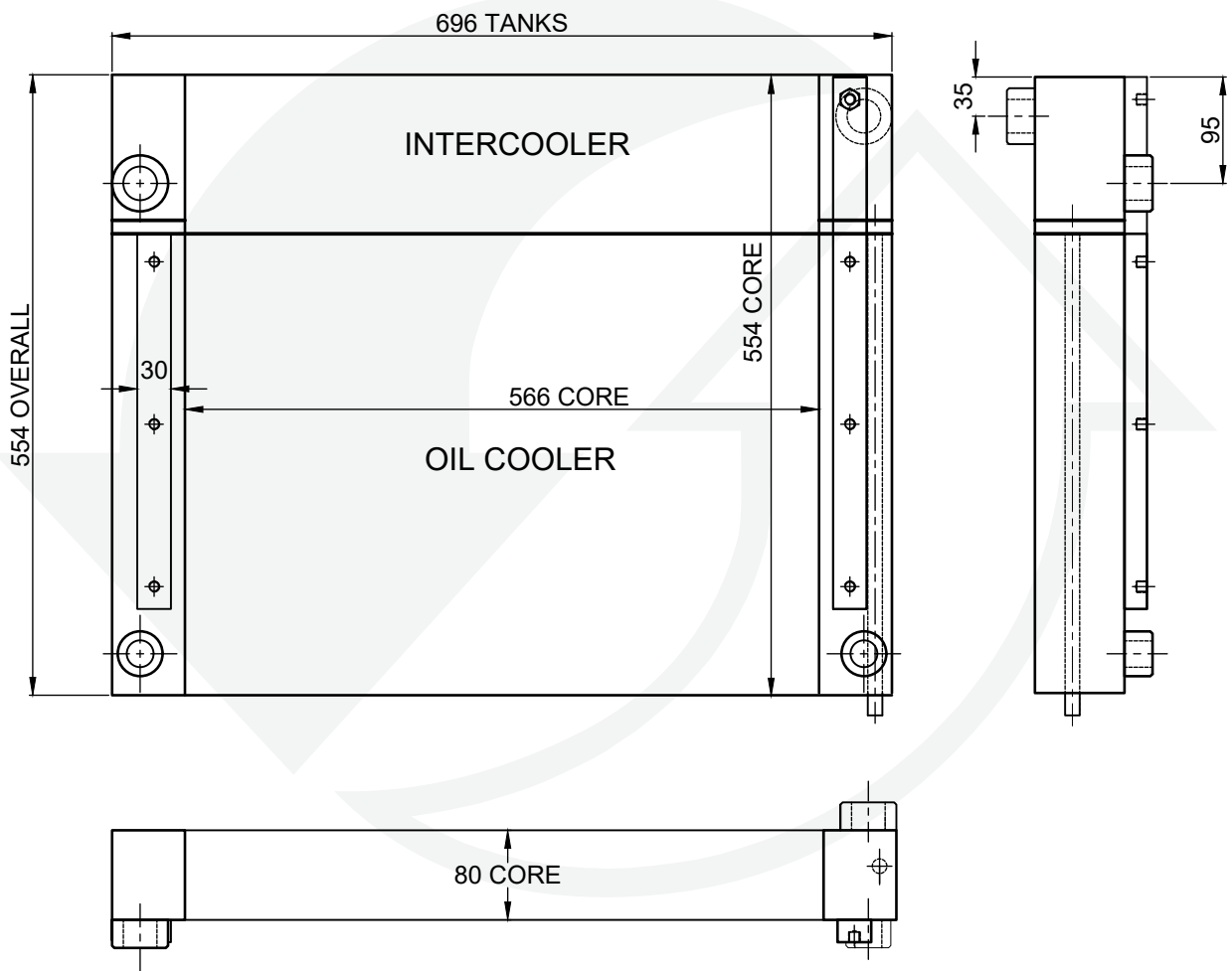
PART NUMBER: OIL529HYD1COM

HYDROVANE



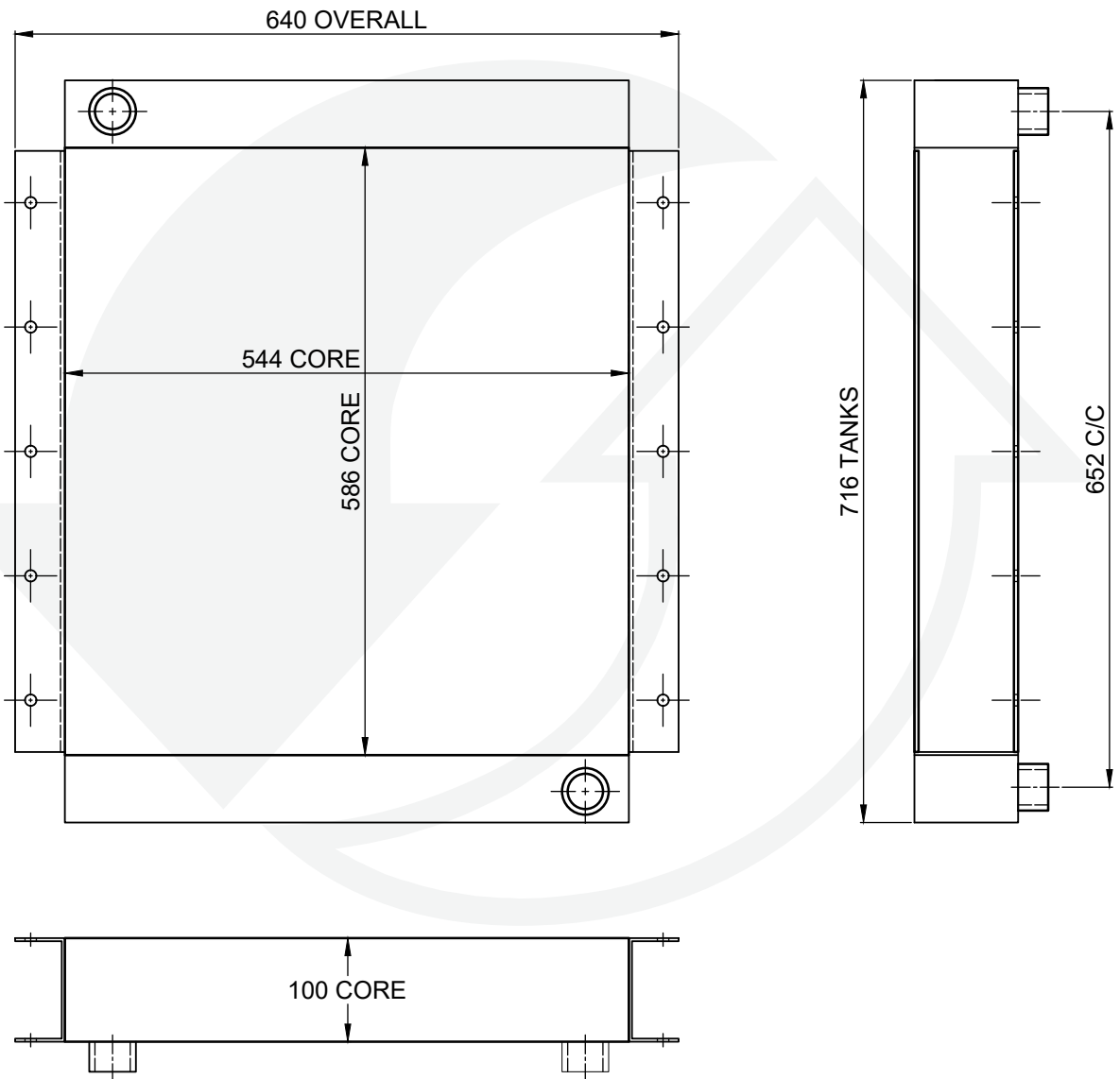
PART NUMBER: OIL580HYD1COM

HYDROVANE



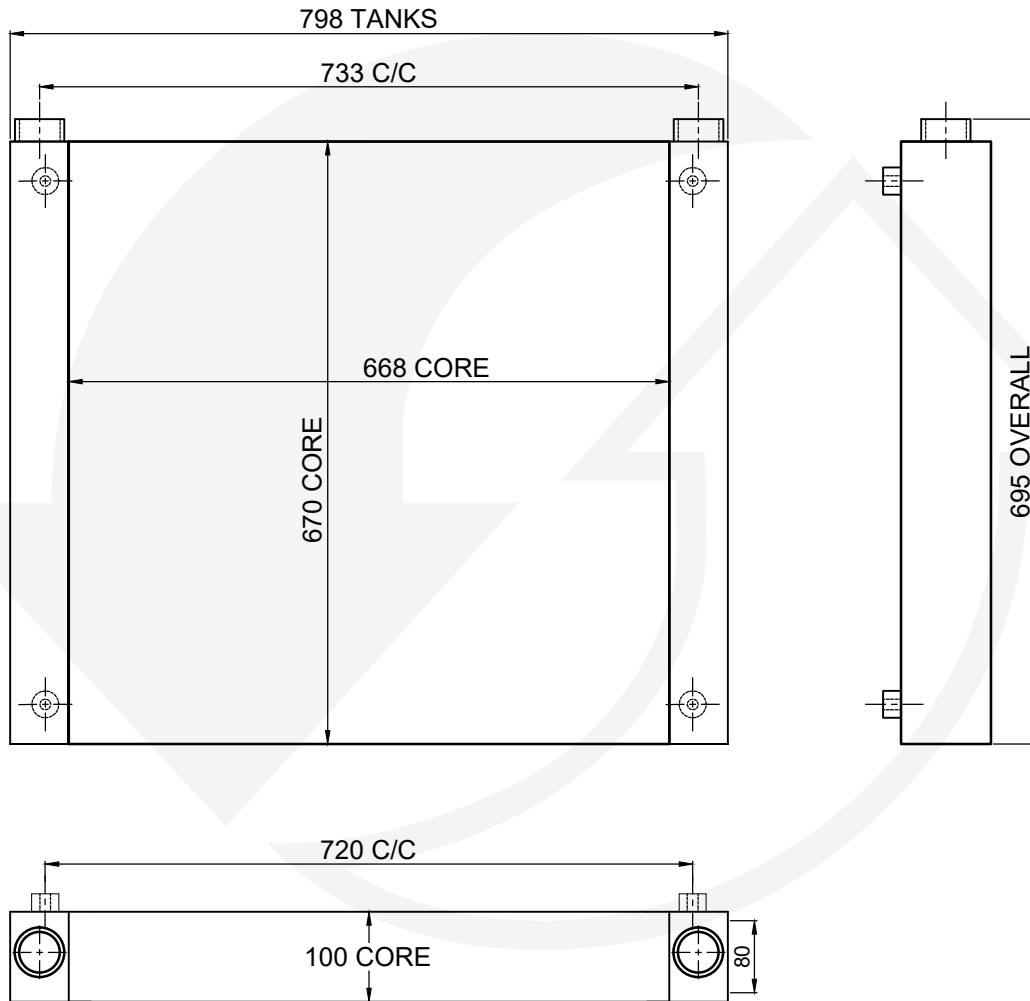
PART NUMBER: OIL580HYD3COM

HYDROVANE



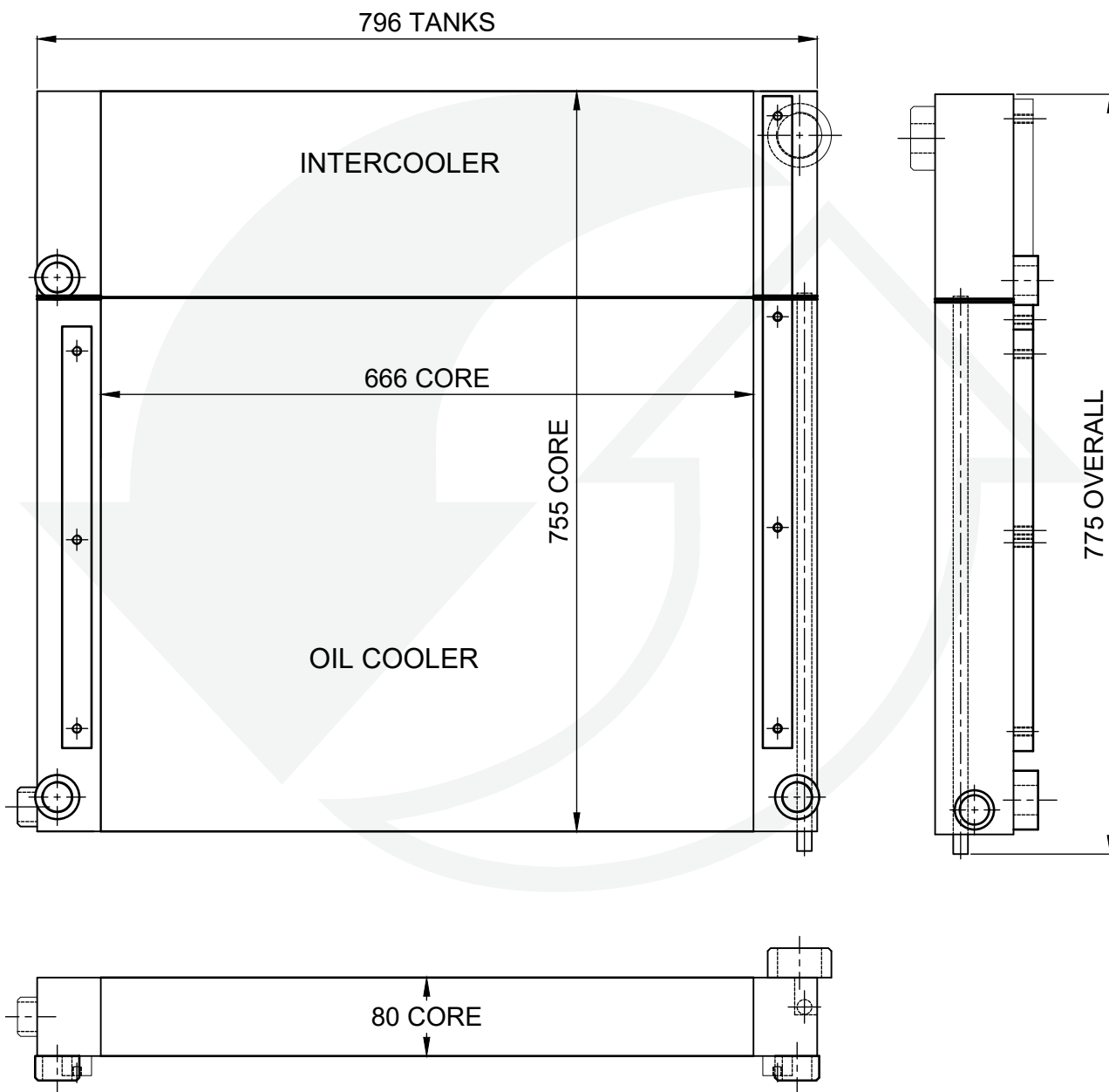
PART NUMBER:OIL600HYD1COM

HYDROVANE



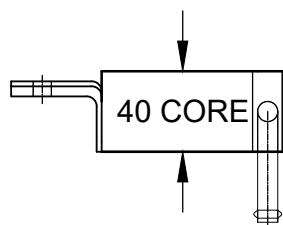
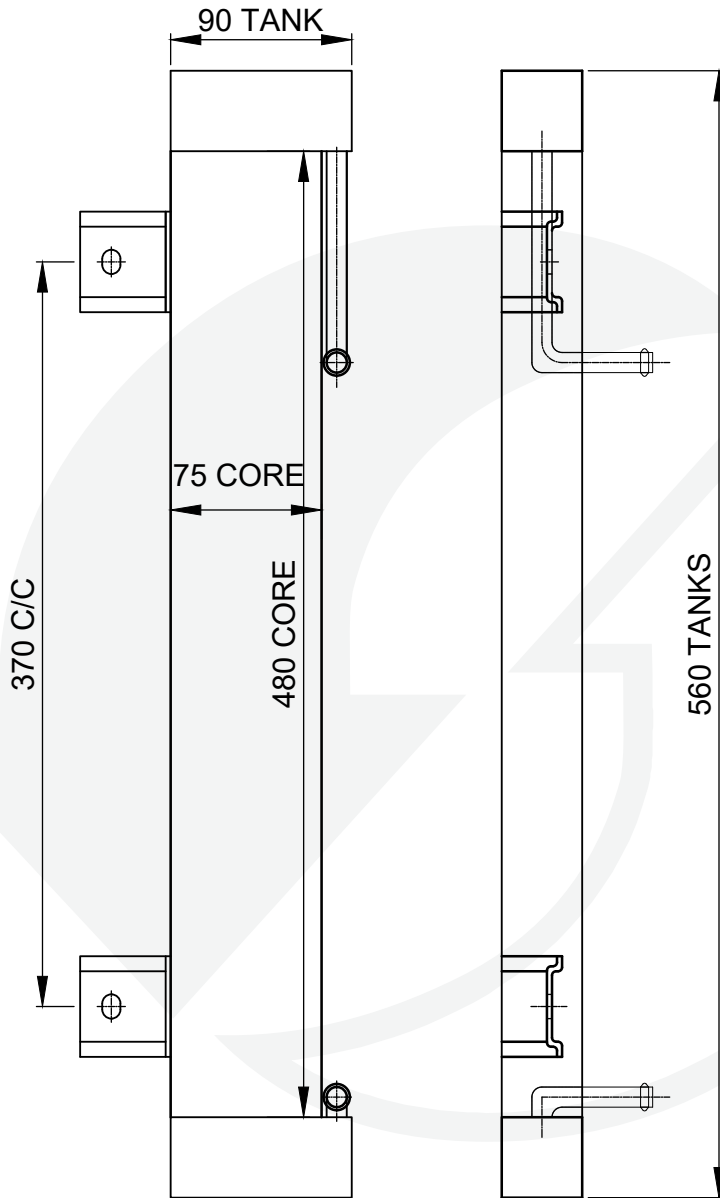
PART NUMBER: OIL602HYD1COM

HYDROVANE



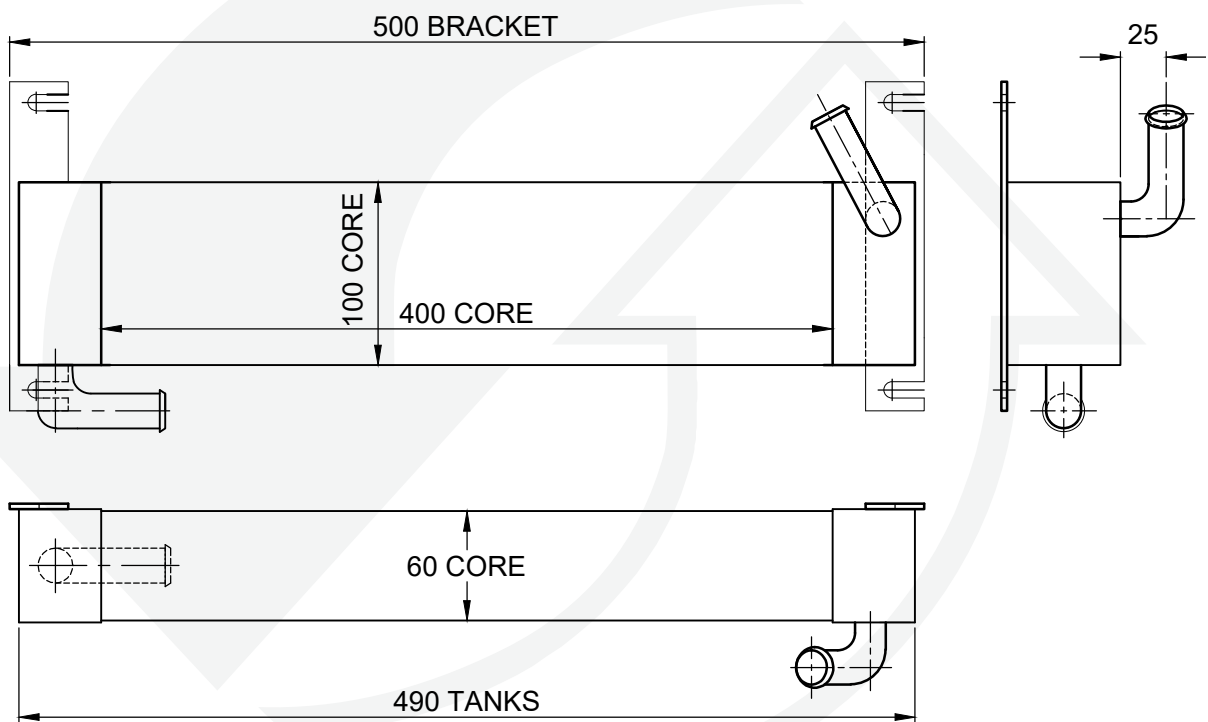
PART NUMBER: OIL680HYD1COM

HYUNDAI



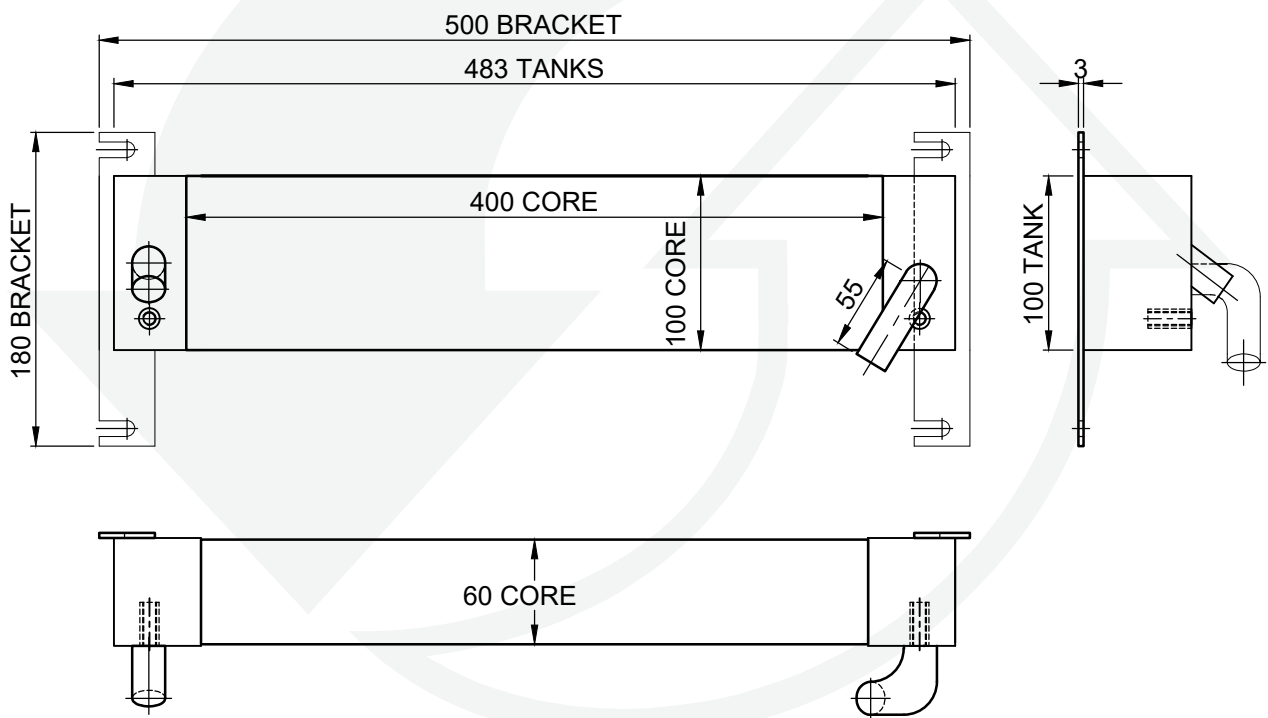
PART NUMBER: OIL484HYU1COM

JOHN DEERE



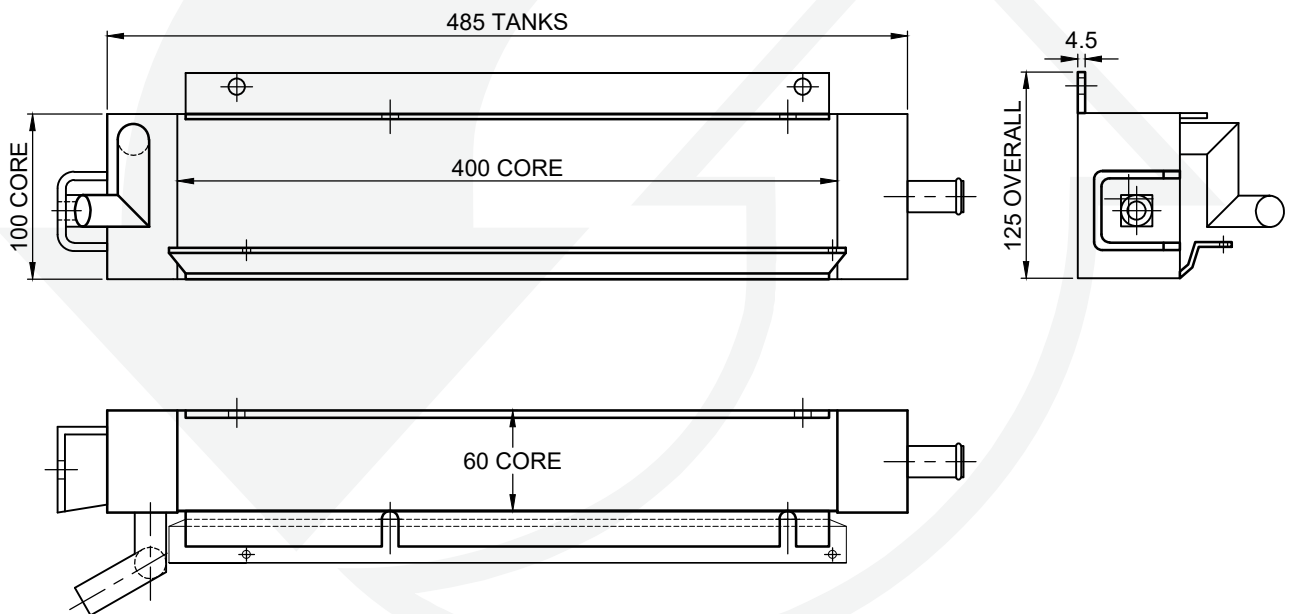
PART NUMBER: OIL400JOH1COM

JOHN DEERE



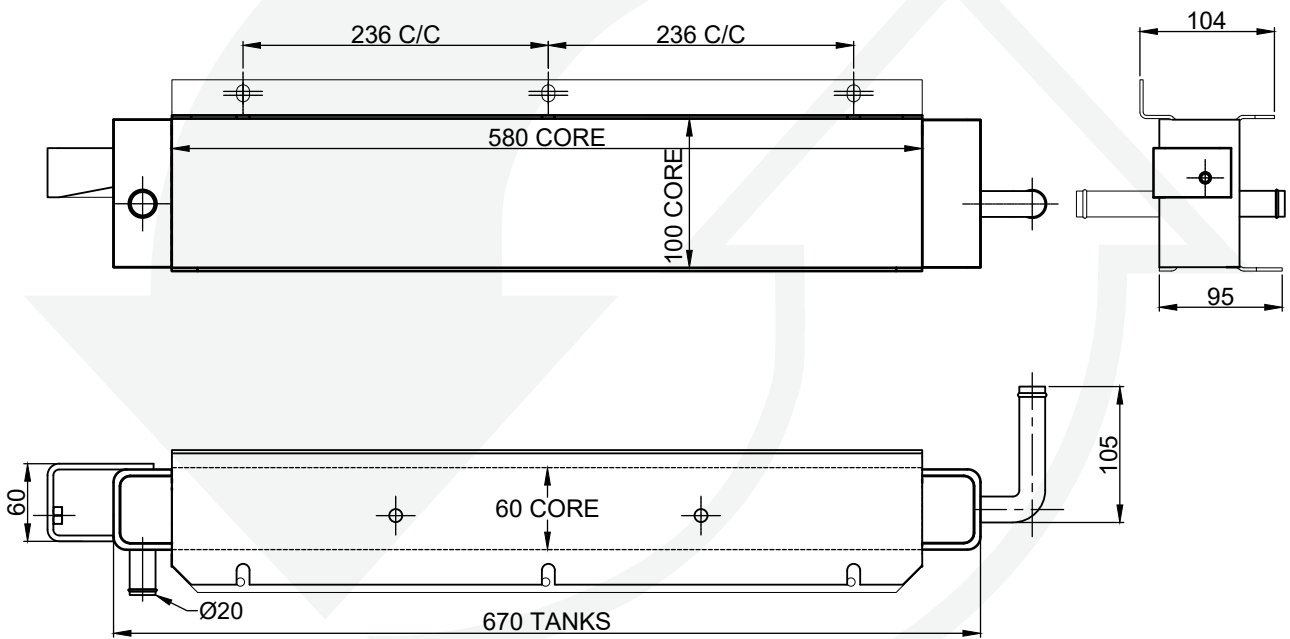
PART NUMBER: OIL400JOH2COM

JOHN DEERE



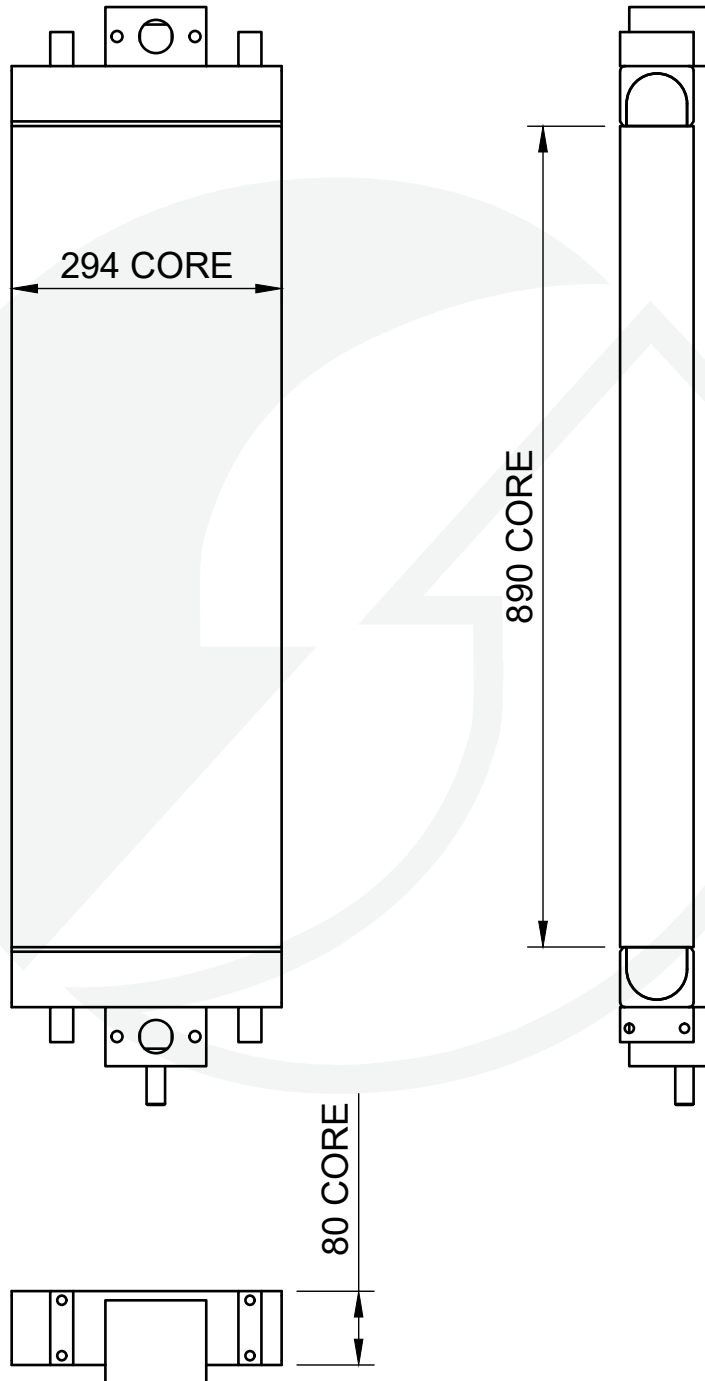
PART NUMBER: OIL400JOH3COM

JOHN DEERE



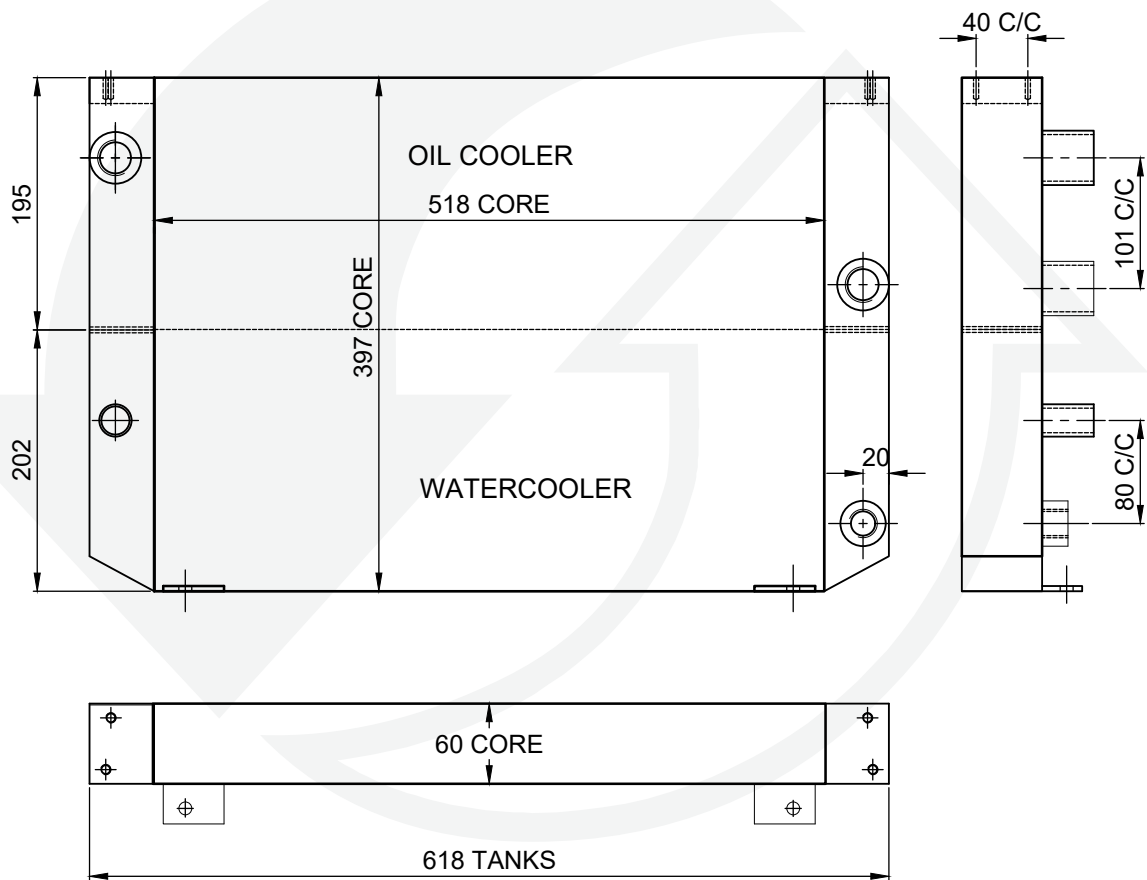
PART NUMBER: OIL580JOH1COM

KOMATSU PC200-8/1



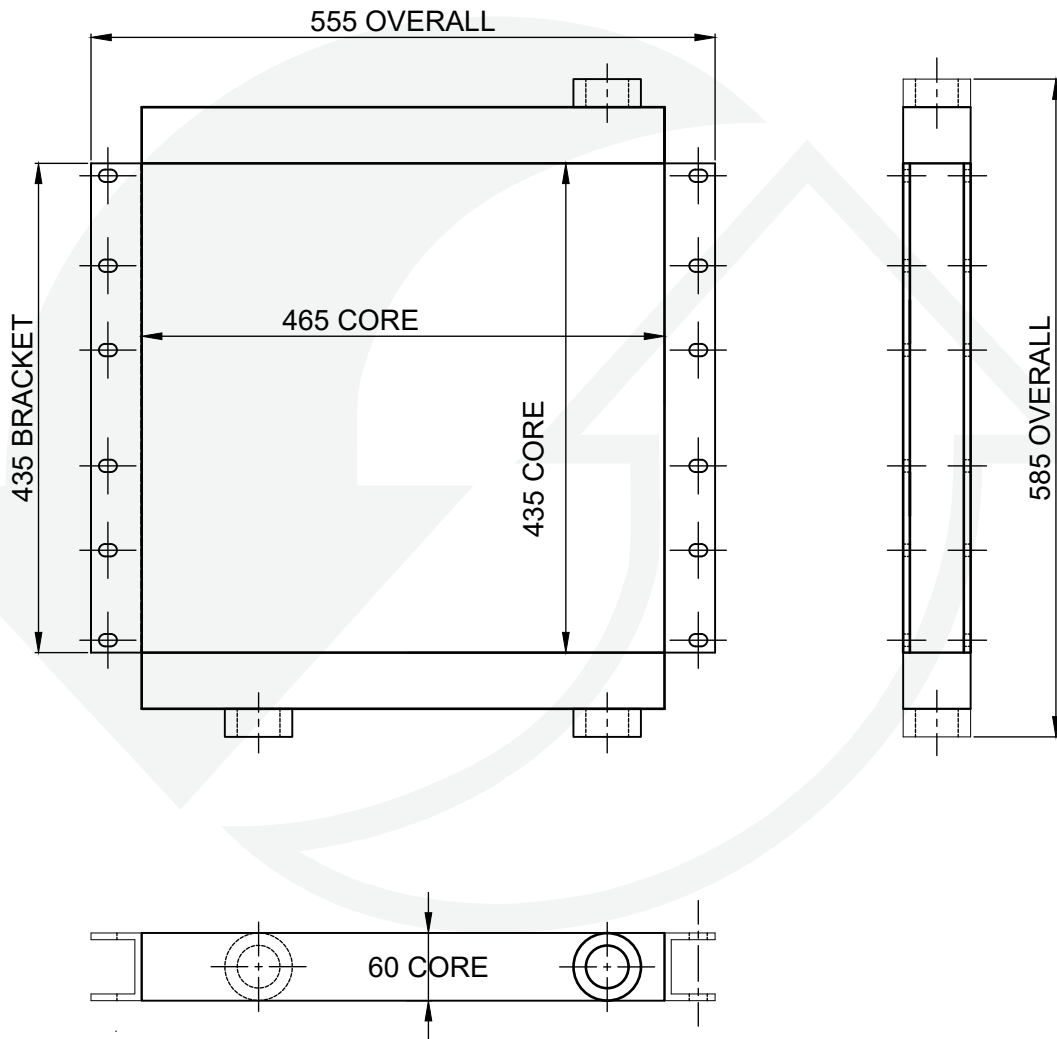
PART NUMBER: OIL890KOM1COM

LINDE



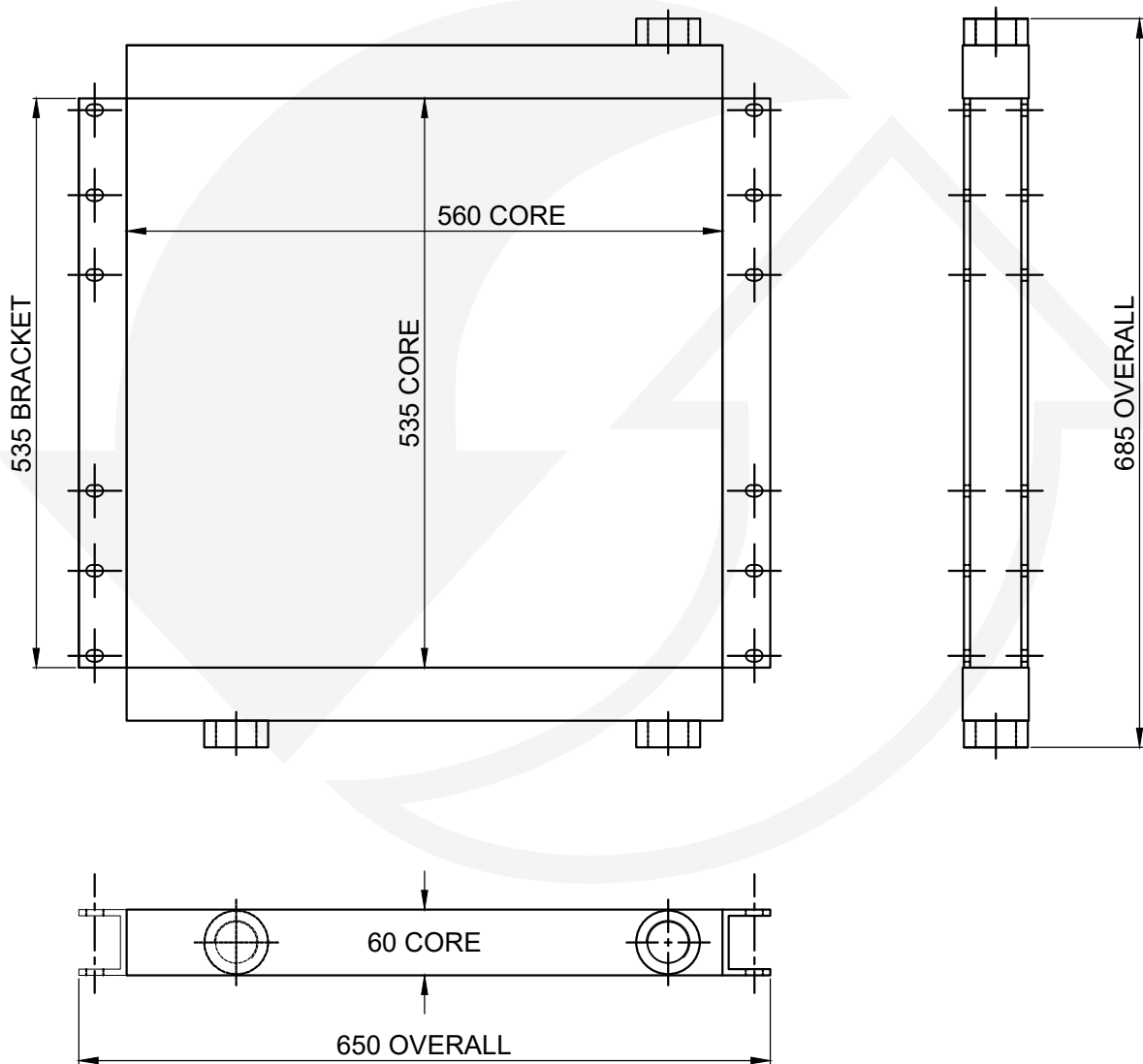
PART NUMBER: OIL502LIN1COM

MAN



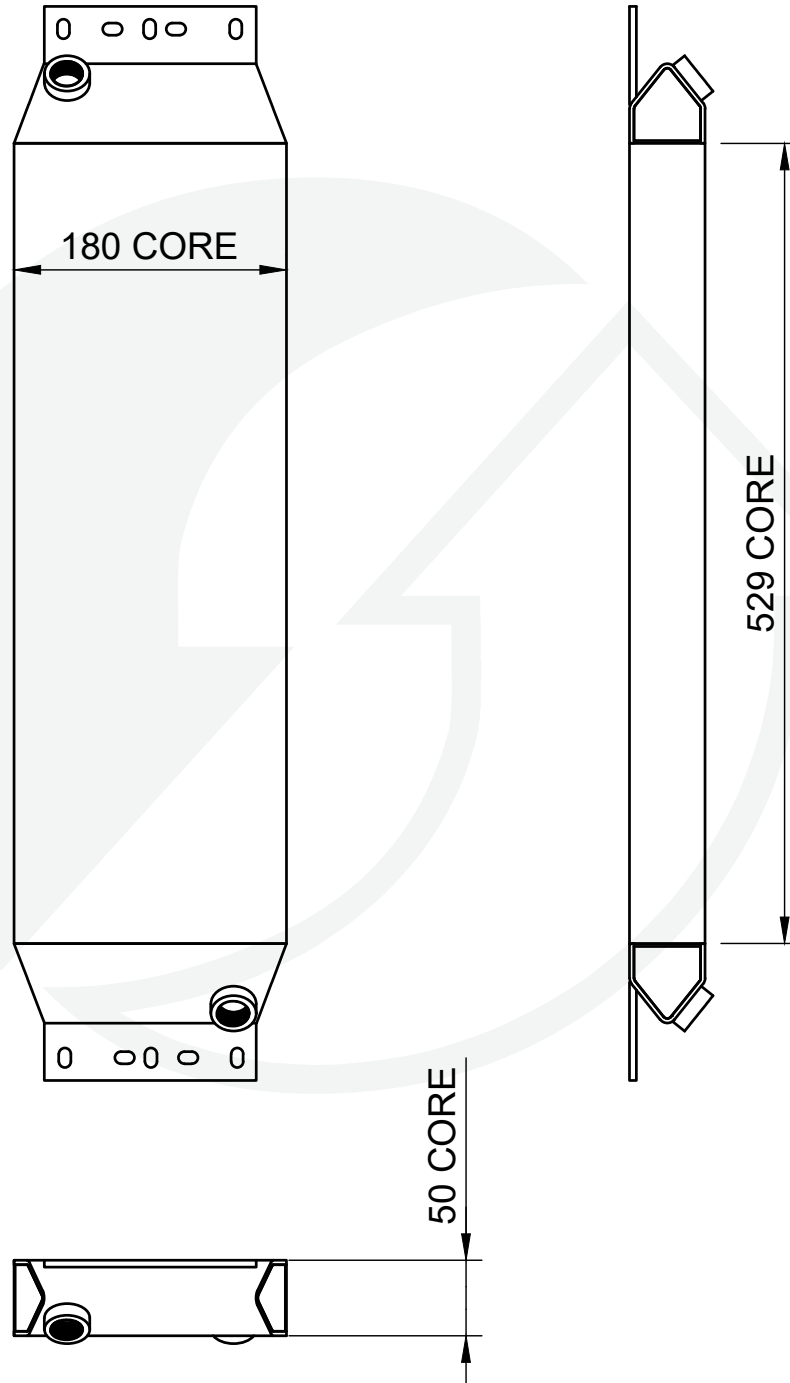
PART NUMBER: OIL419MAN1COM

MAN



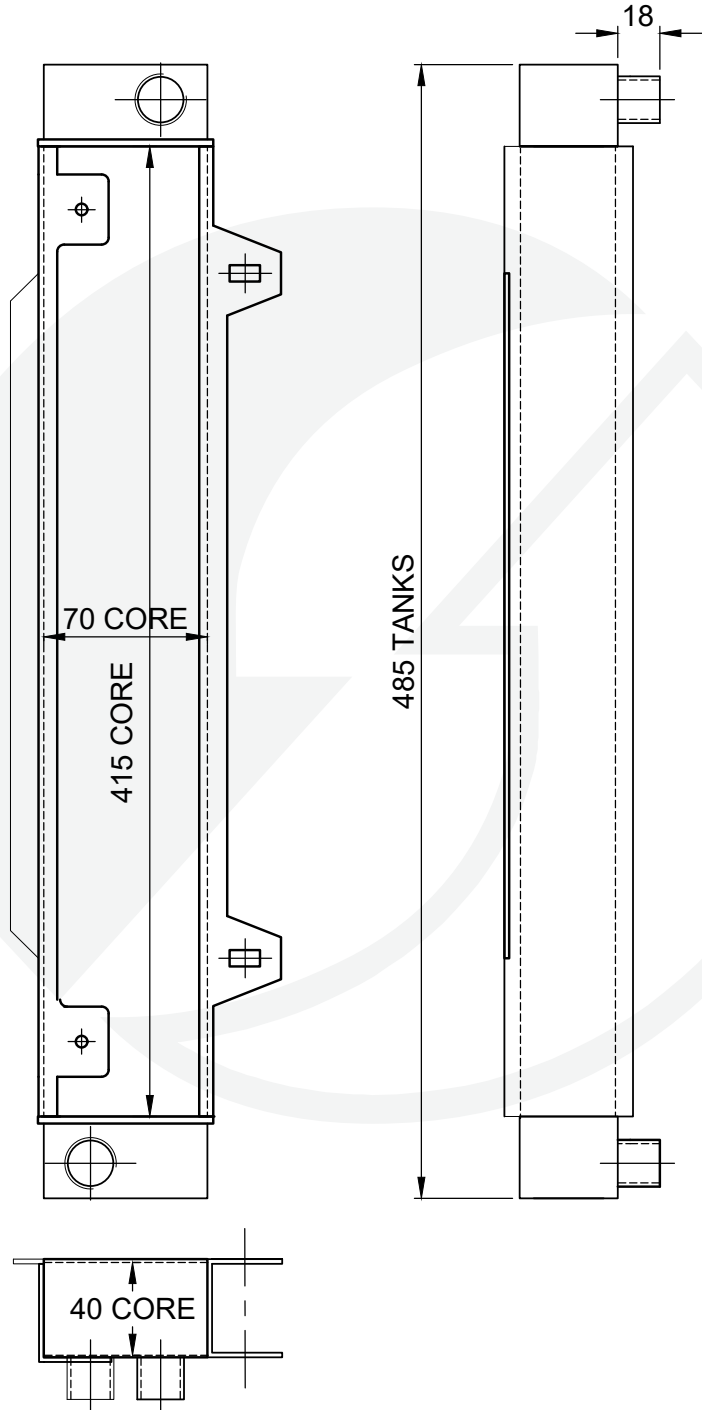
PART NUMBER: OIL519MAN1COM

MAN



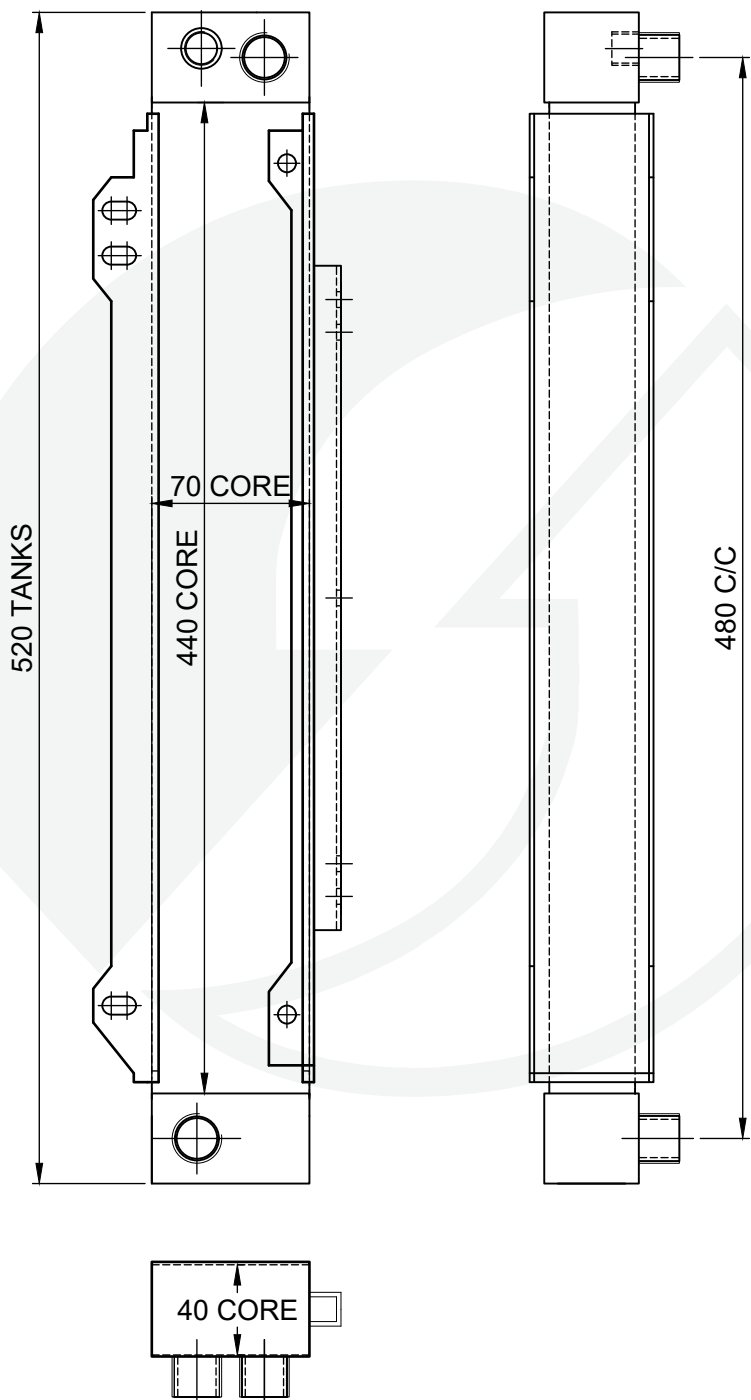
PART NUMBER: OIL529MAN1COM

MERCEDES BENZ



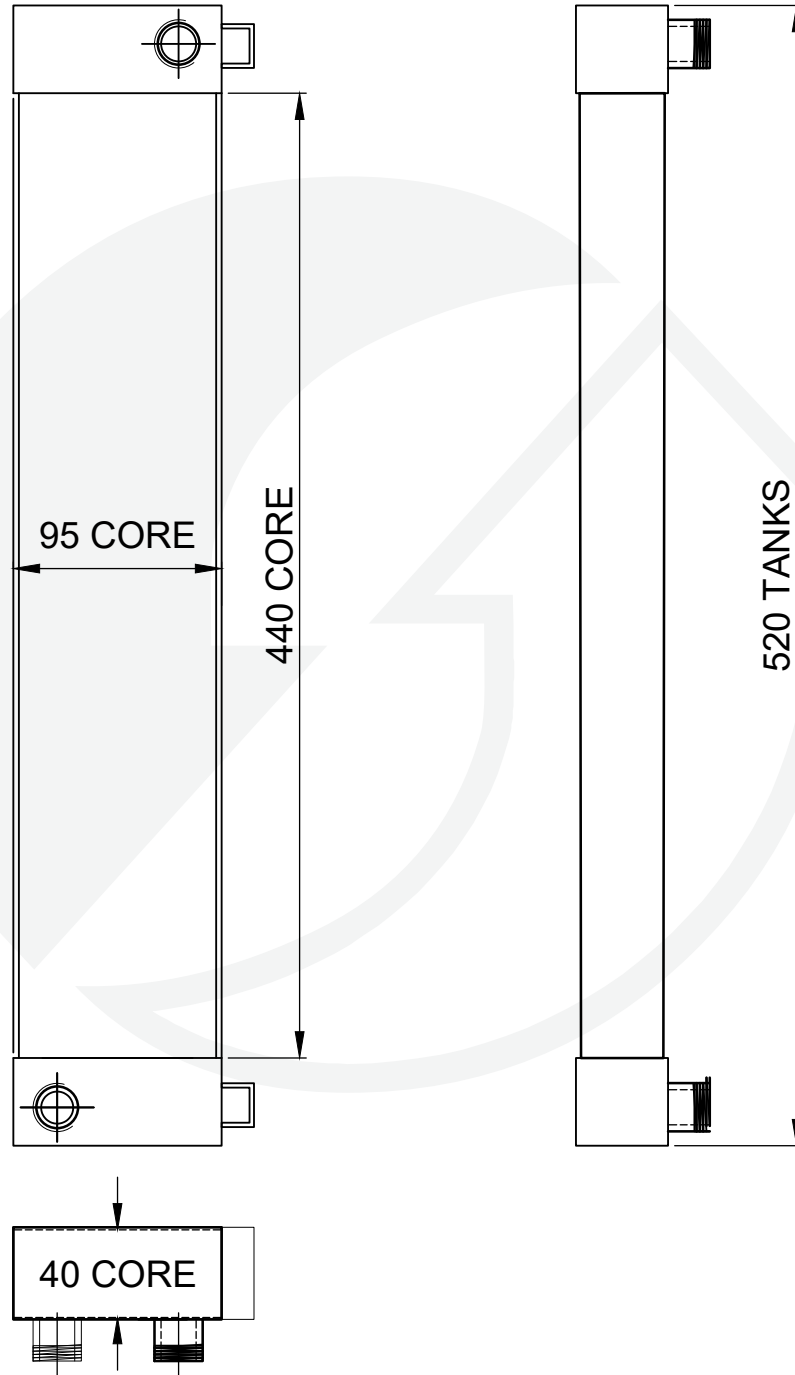
PART NUMBER: OIL415MER1COM

MERCEDES BENZ



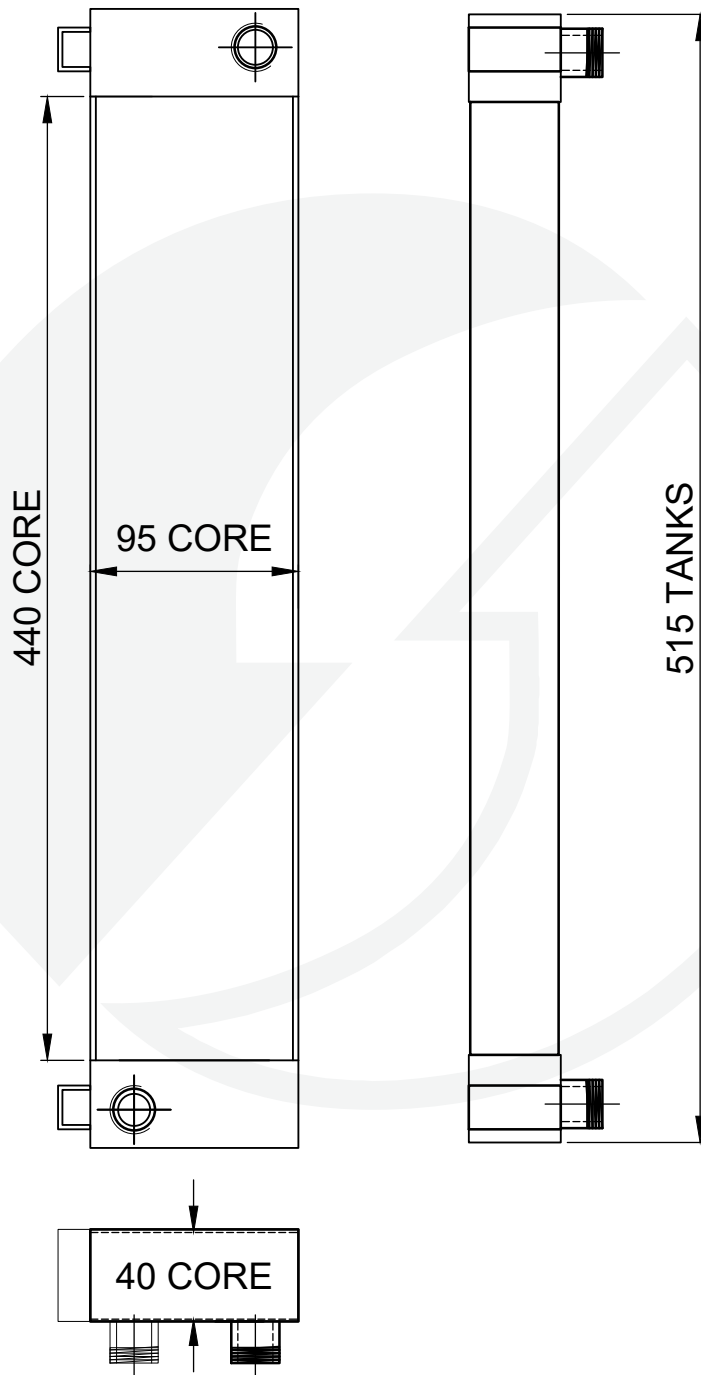
PART NUMBER: OIL440MER1COM

MERCEDES BENZ



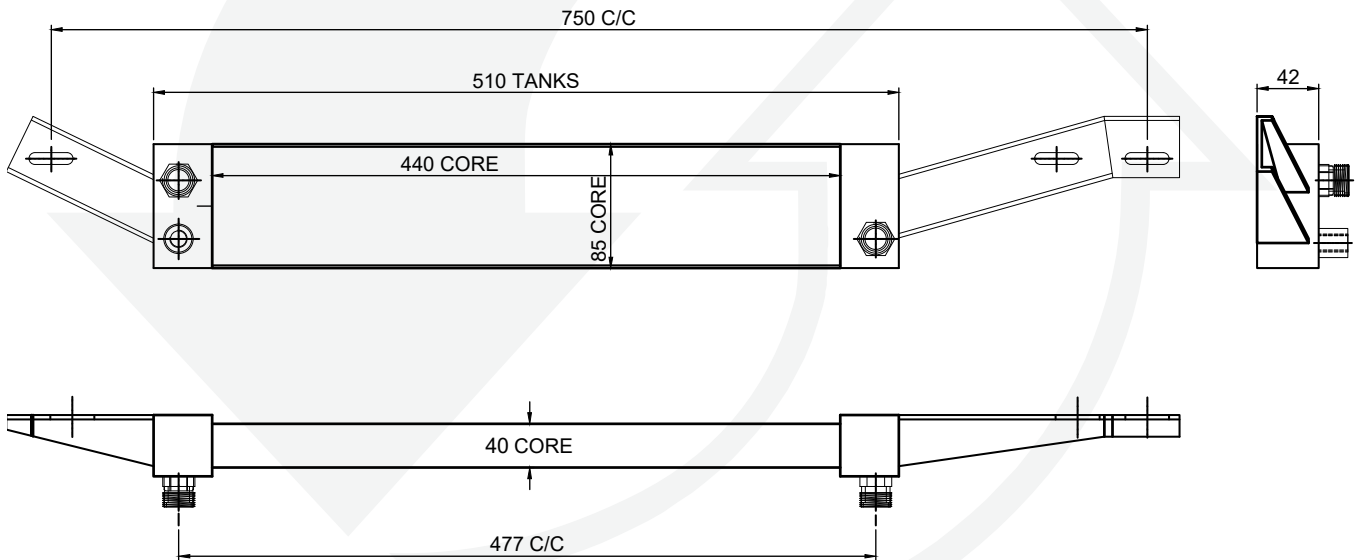
PART NUMBER: OIL440MER2COM

MERCEDES BENZ



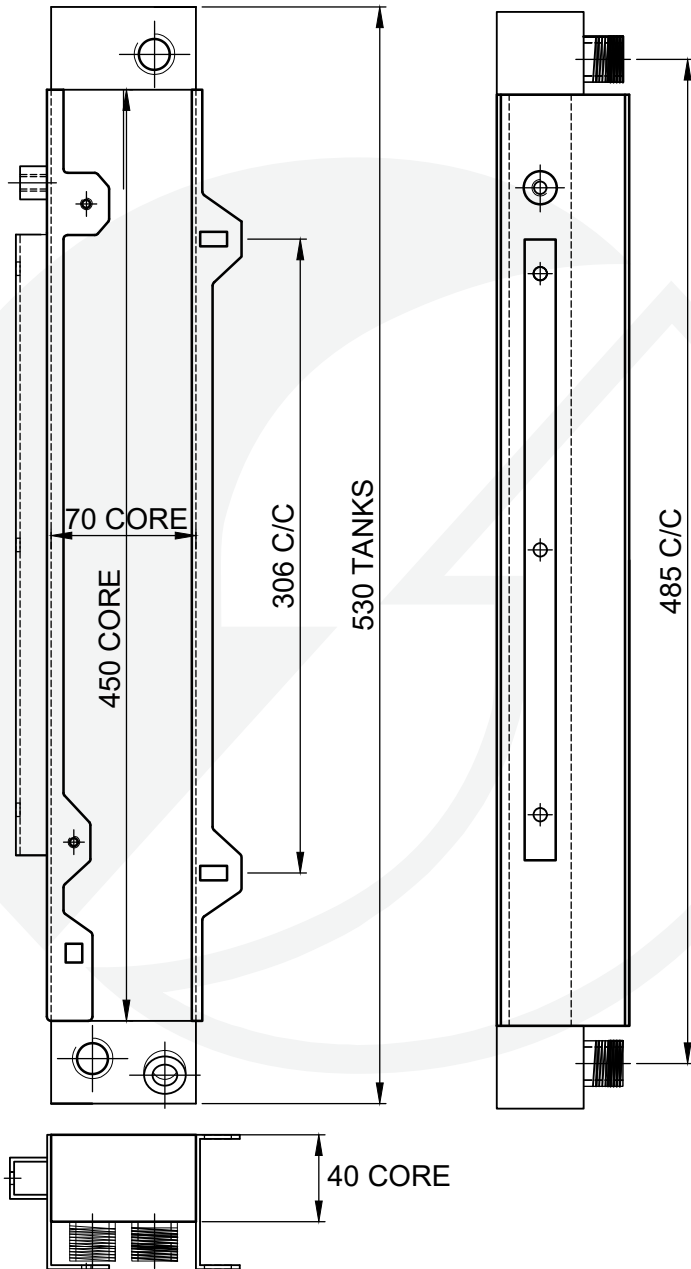
PART NUMBER: OIL440MER3COM

MERCEDES BENZ



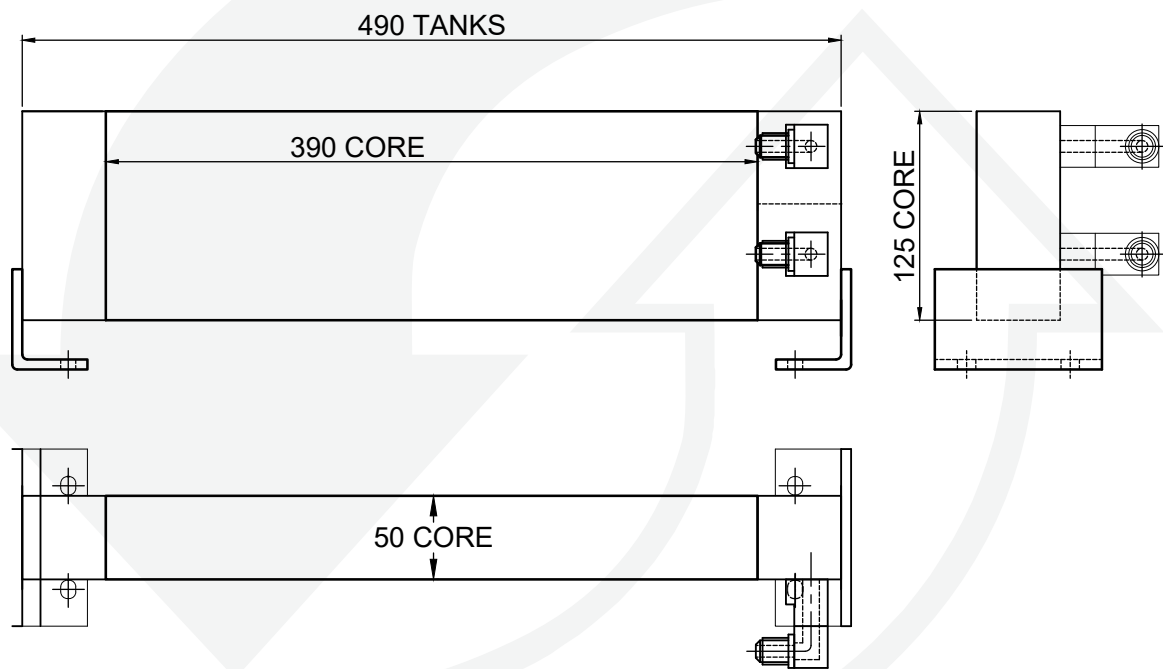
PART NUMBER: OIL440MER4COM

MERCEDES BENZ



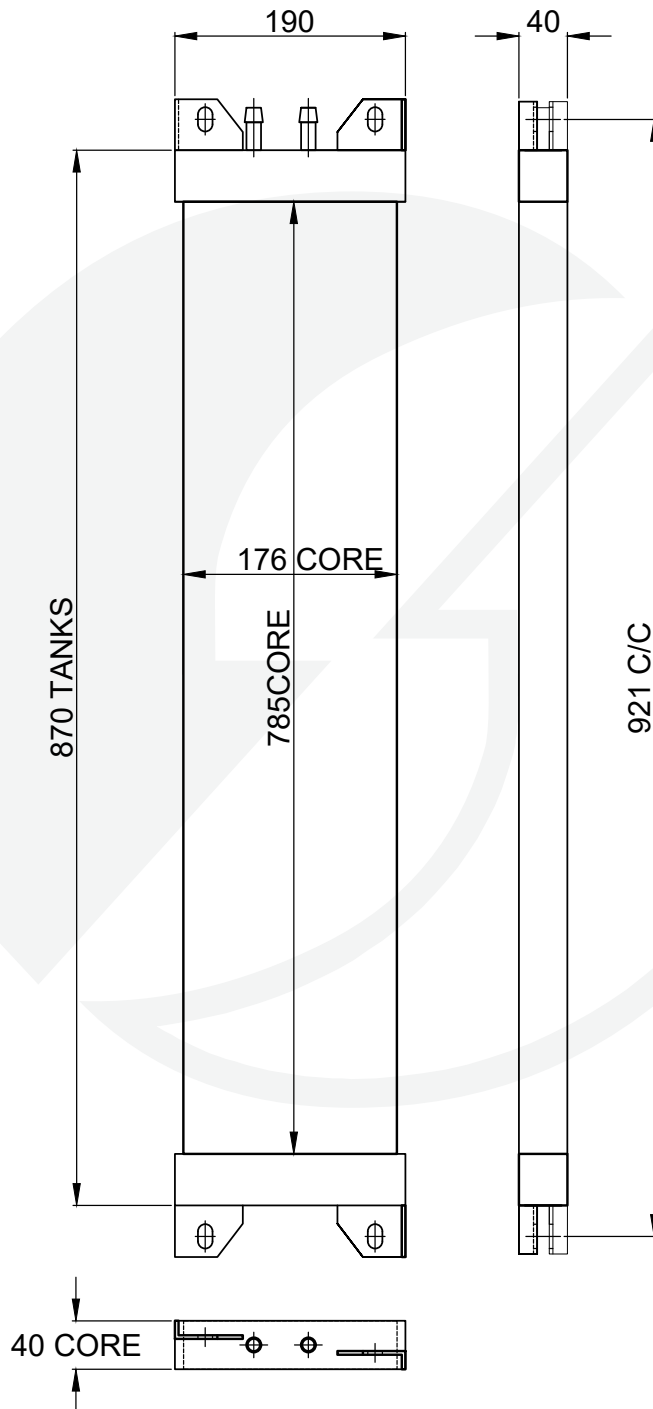
PART NUMBER: OIL450MER1COM

NISSAN



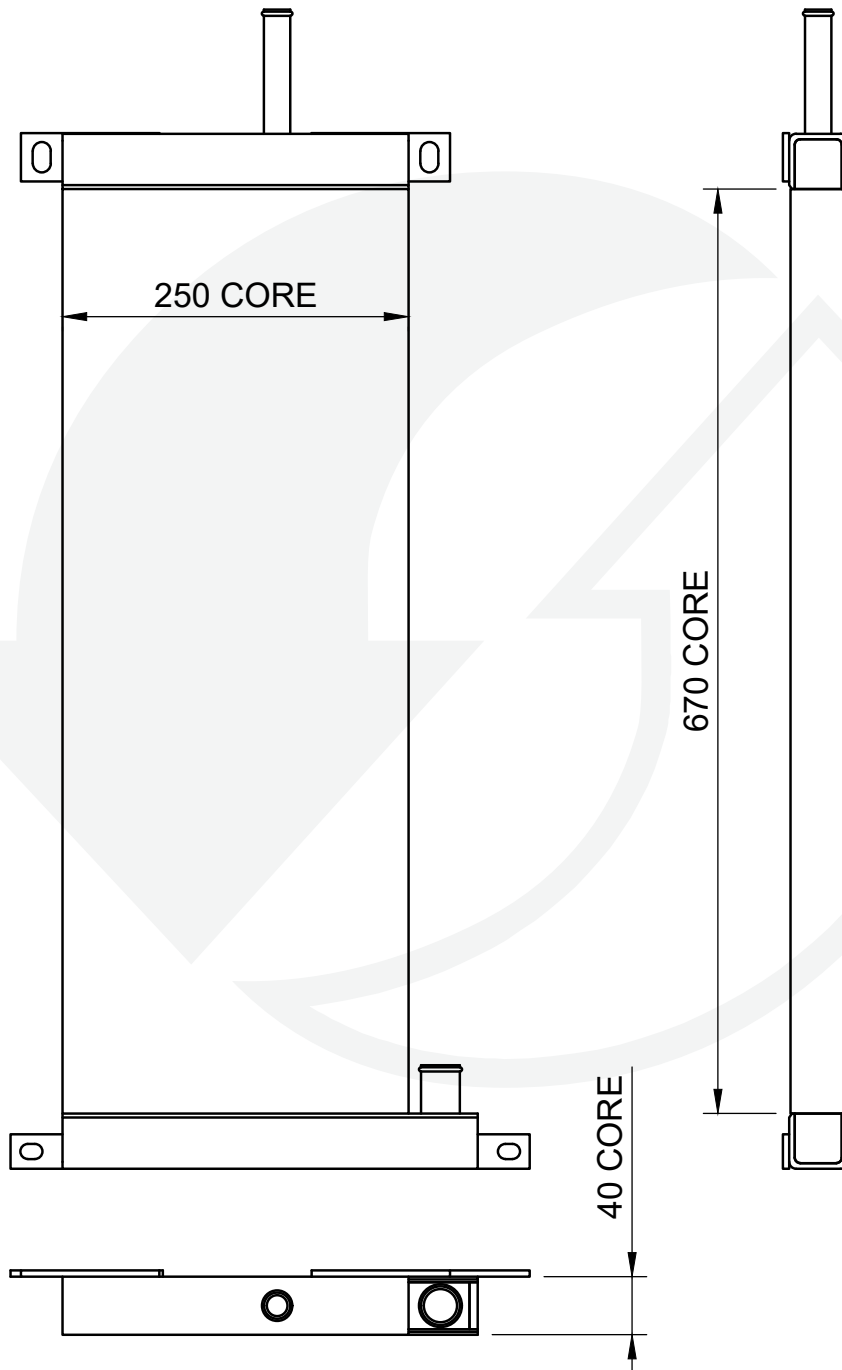
PART NUMBER: OIL394NIS1COM

SCANIA



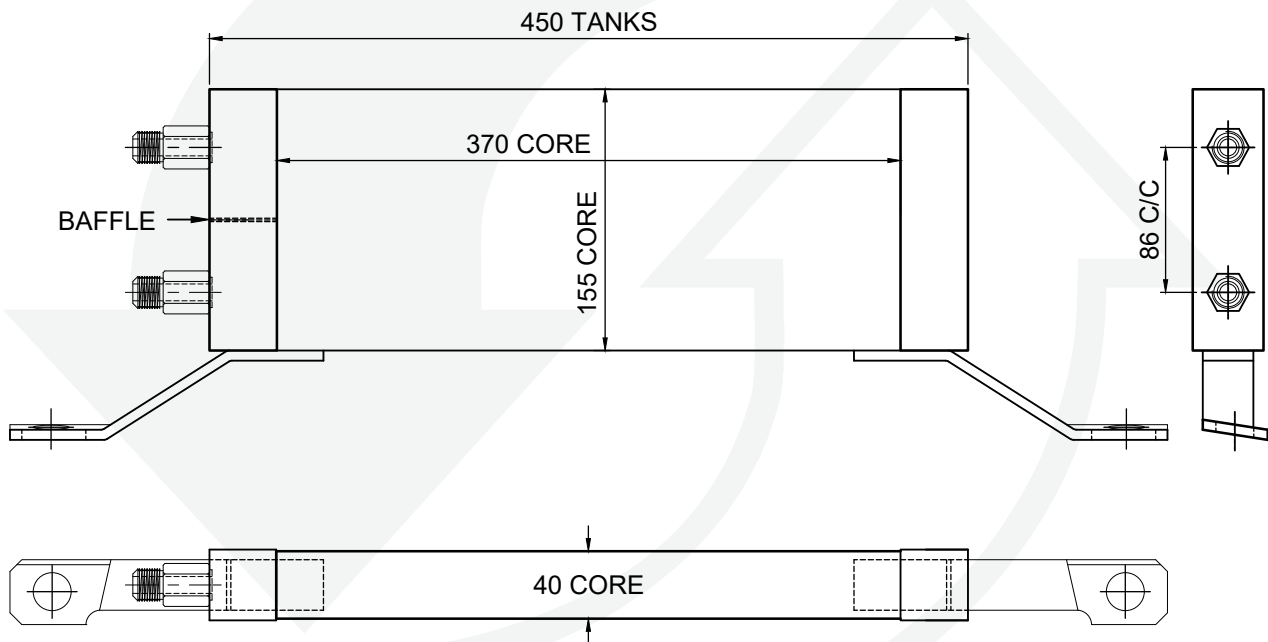
PART NUMBER: OIL785SCA1COM

SCANIA



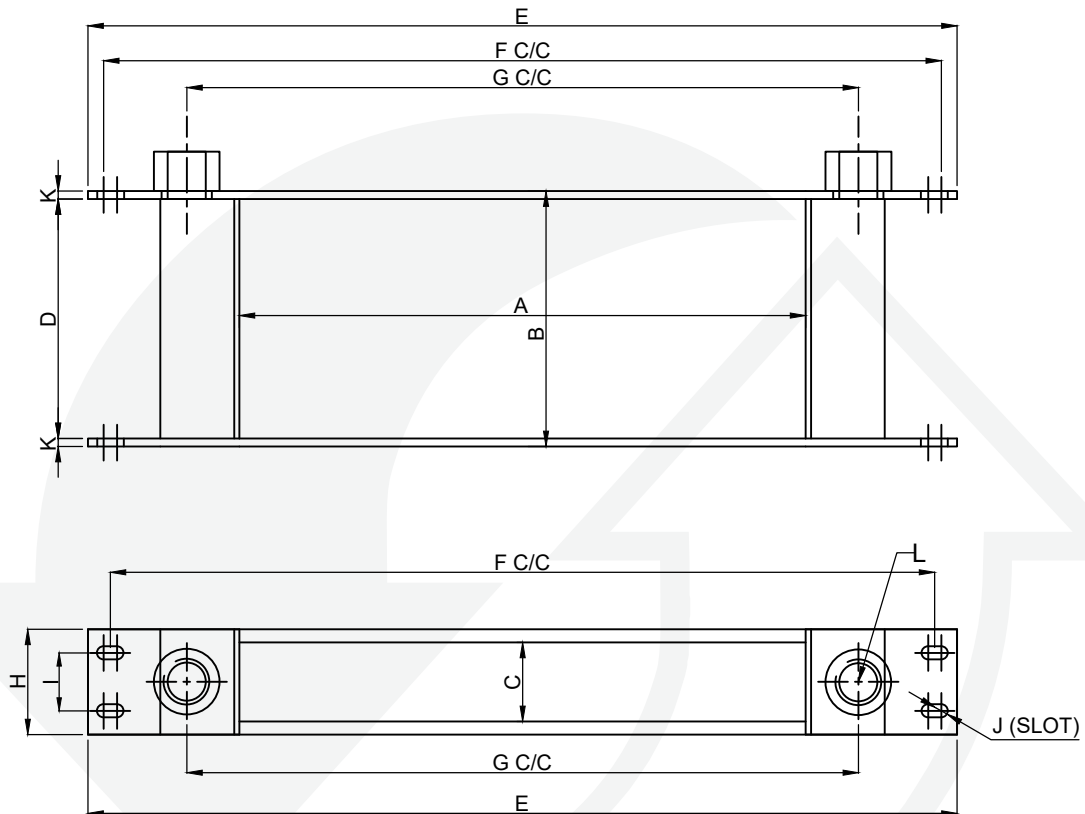
PART NUMBER: OIL670SCA1COM

TOYOTA



PART NUMBER: OIL400TOY1COM

ZIP COOLER



MODEL	A	B	C	D	E	F	G	H	I	J (SLOT)	K	L
ZIP3	215	60	30	54	330	312	248	42	22	Ø5 X 10	3	3/8NPT X 18TPI
ZIP5	215	80	30	74	330	312	248	42	22	Ø5 X 10	3	3/8NPT X 18TPI
ZIP7	215	96	30	90	330	312	248	42	22	Ø5 X 10	3	3/8NPT X 18TPI
ZIP9	215	125	30	119	330	312	248	42	22	Ø5 X 10	3	3/8NPT X 18TPI
ZIP11	215	150	30	144	330	312	248	42	22	Ø5 X 10	3	3/8NPT X 18TPI
ZIP13	215	167	30	161	330	312	248	42	22	Ø5 X 10	3	3/8NPT X 18TPI
ZIP15	215	200	30	194	330	312	248	42	22	Ø5 X 10	3	3/8NPT X 18TPI



PART NUMBER: SEE ABOVE TABLE

CAPE HEAT EXCHANGE