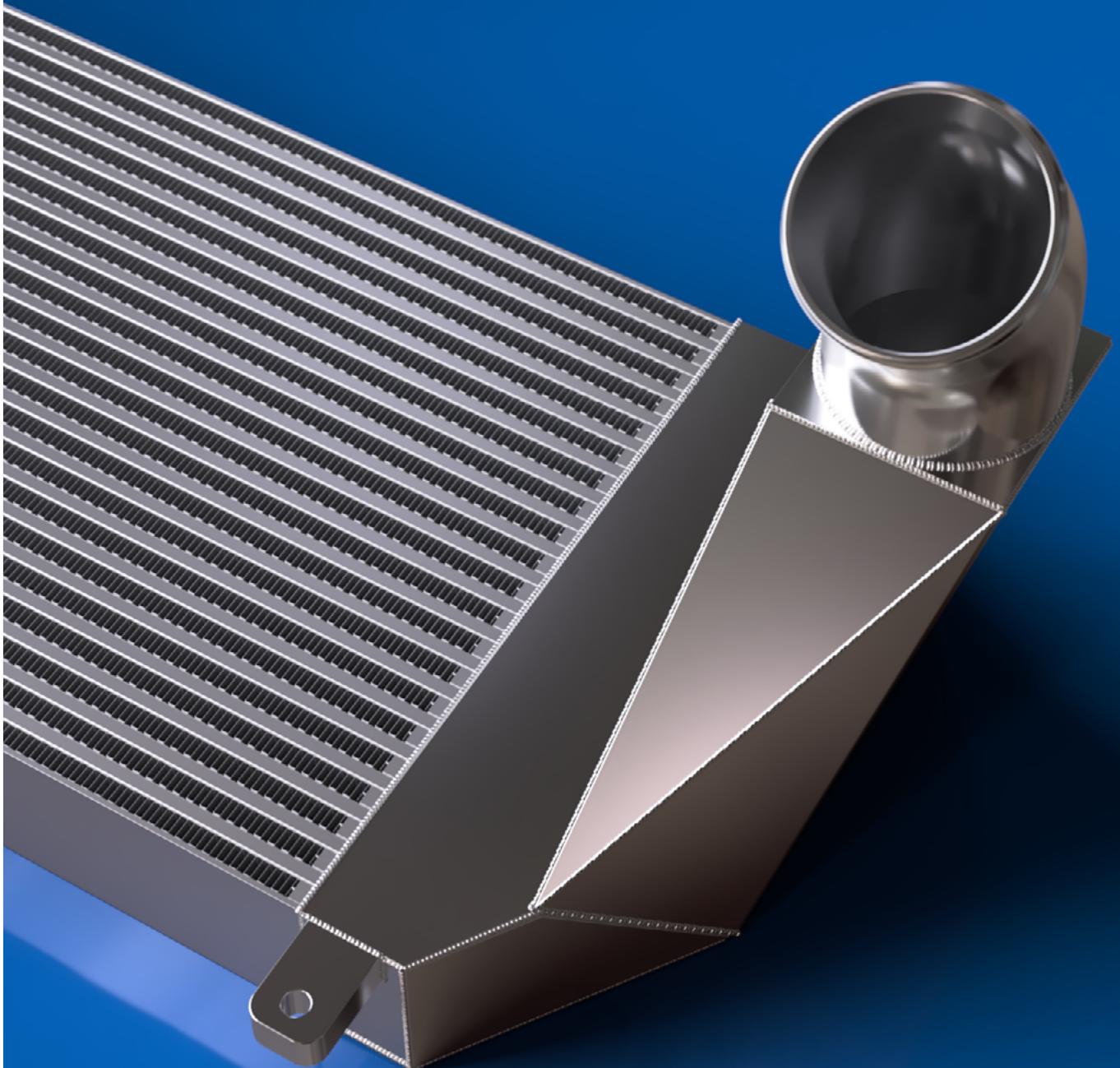


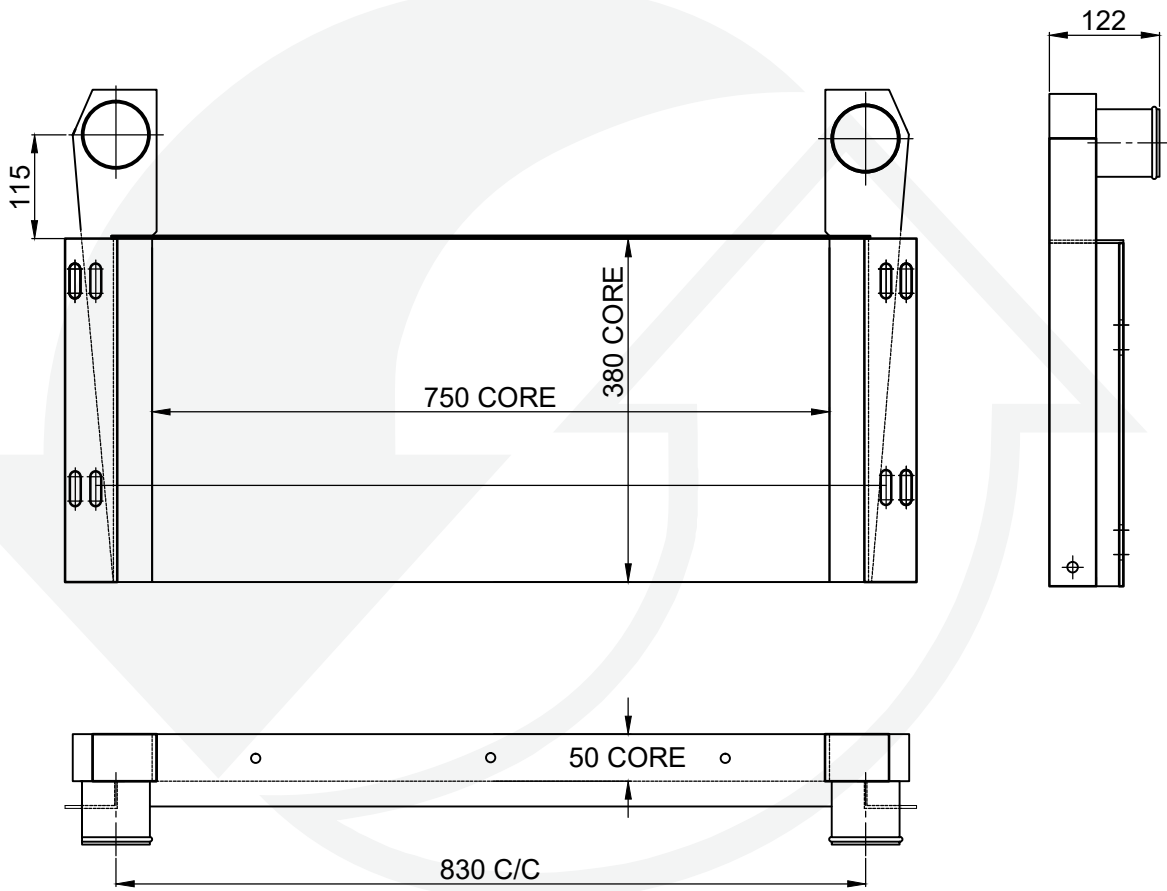
CHE

HEAT TRANSFER PRODUCTS

INTERCOOLERS

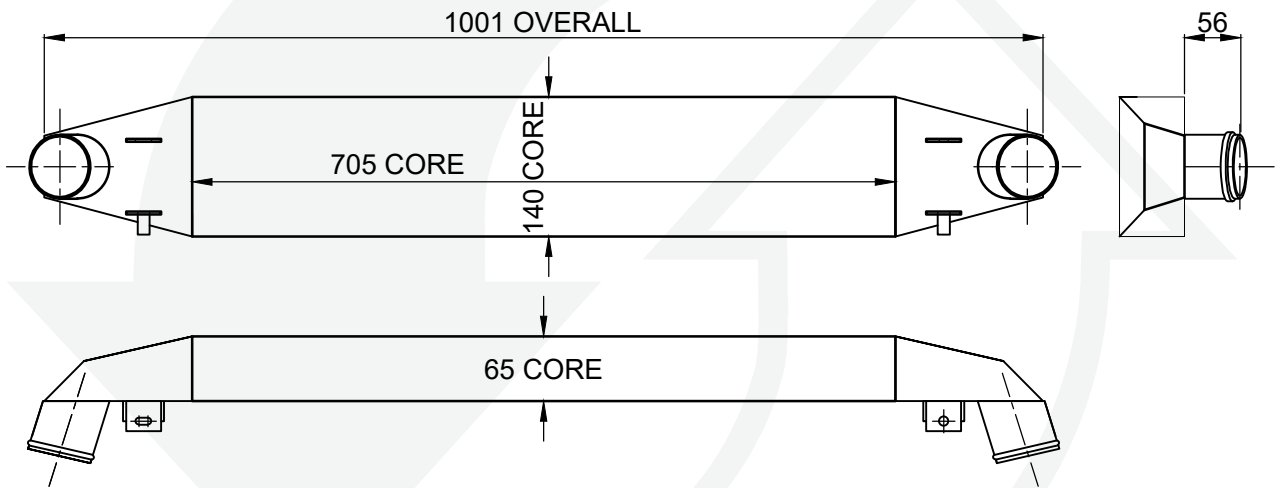


BELL KARMAZON



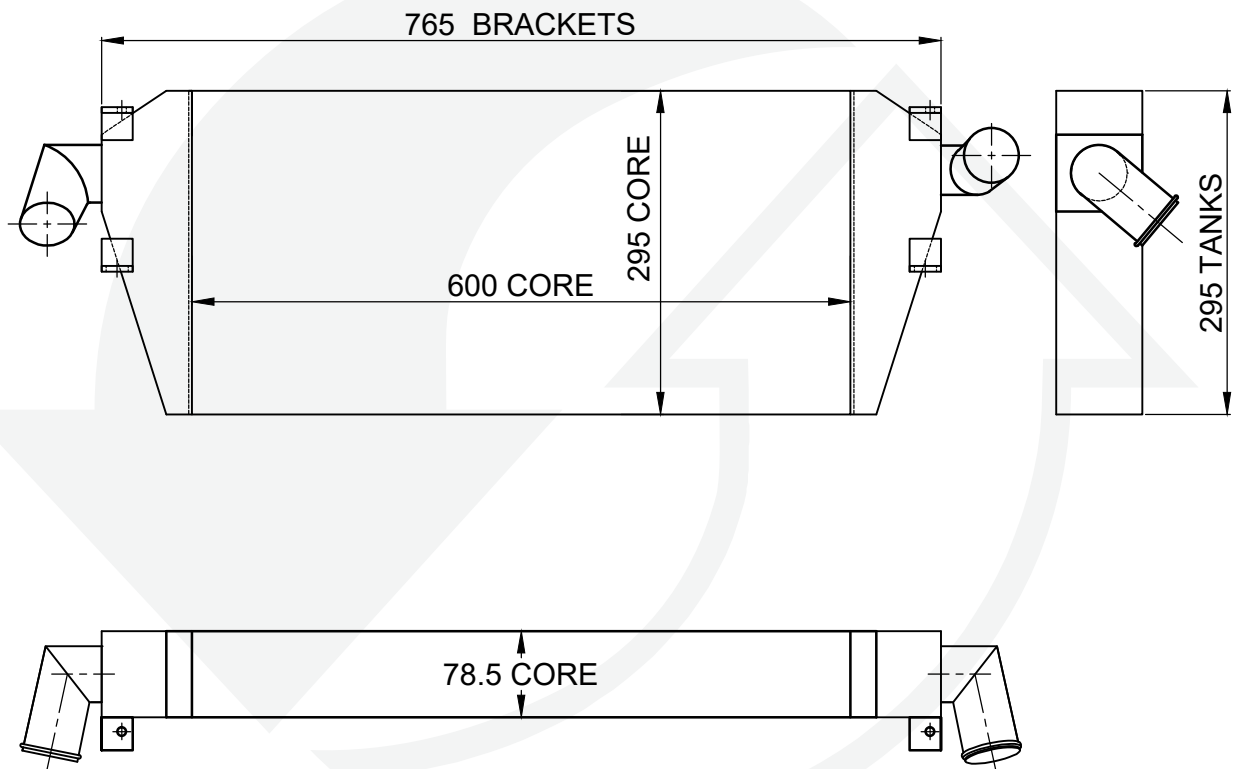
PART NUMBER: INT750BEL1COM

FORD FIESTA ST



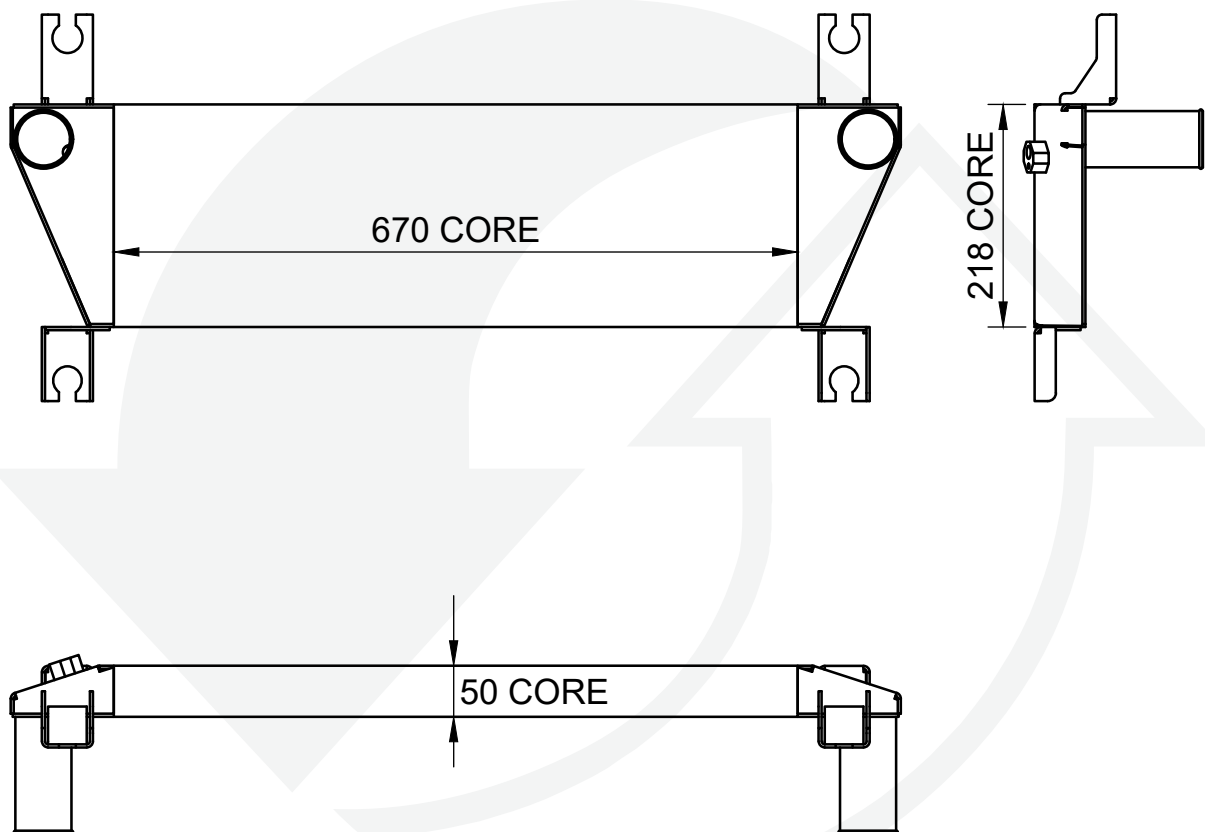
PART NUMBER: INT705FOR1COM

FORD FOCUS ST



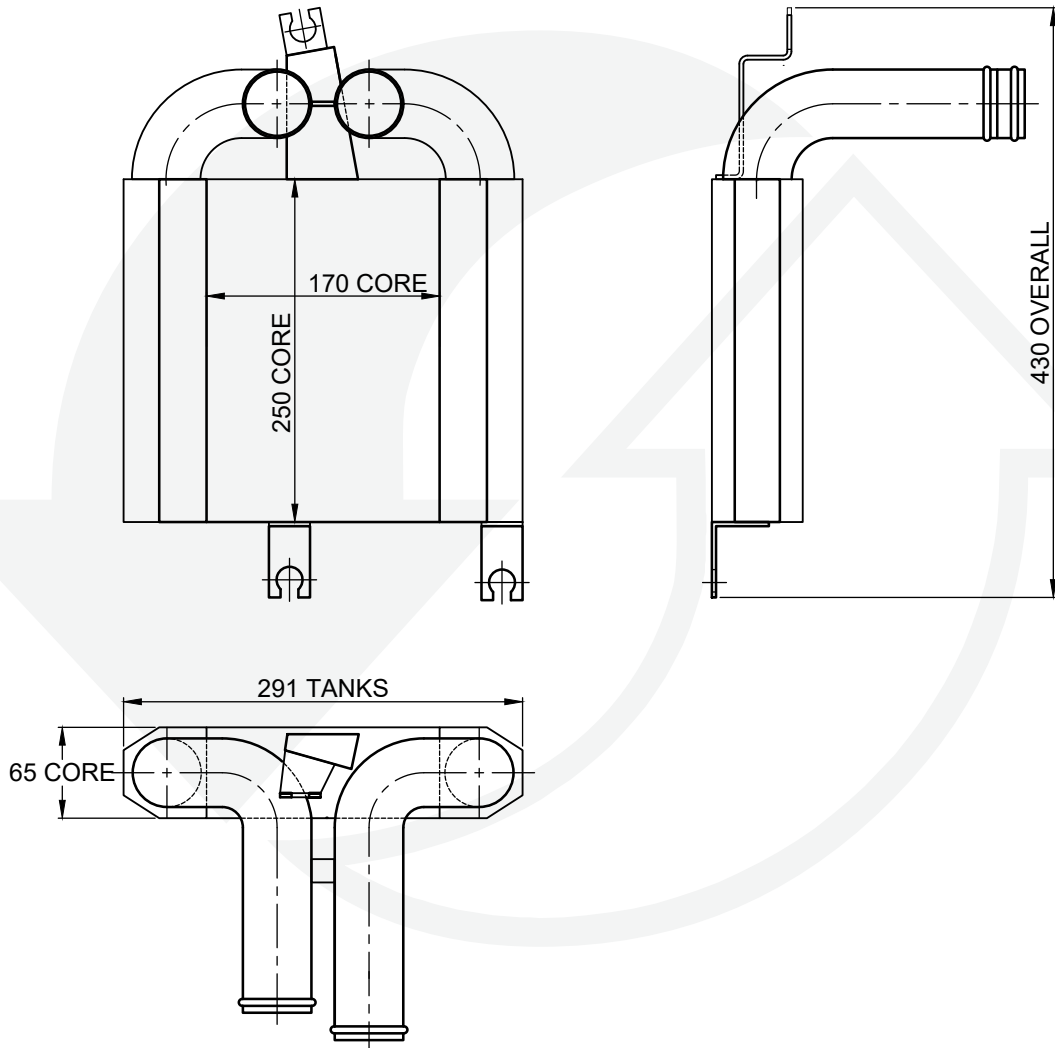
PART NUMBER: INT600FOR1COM

FORD RANGER 3.2 & 2.2



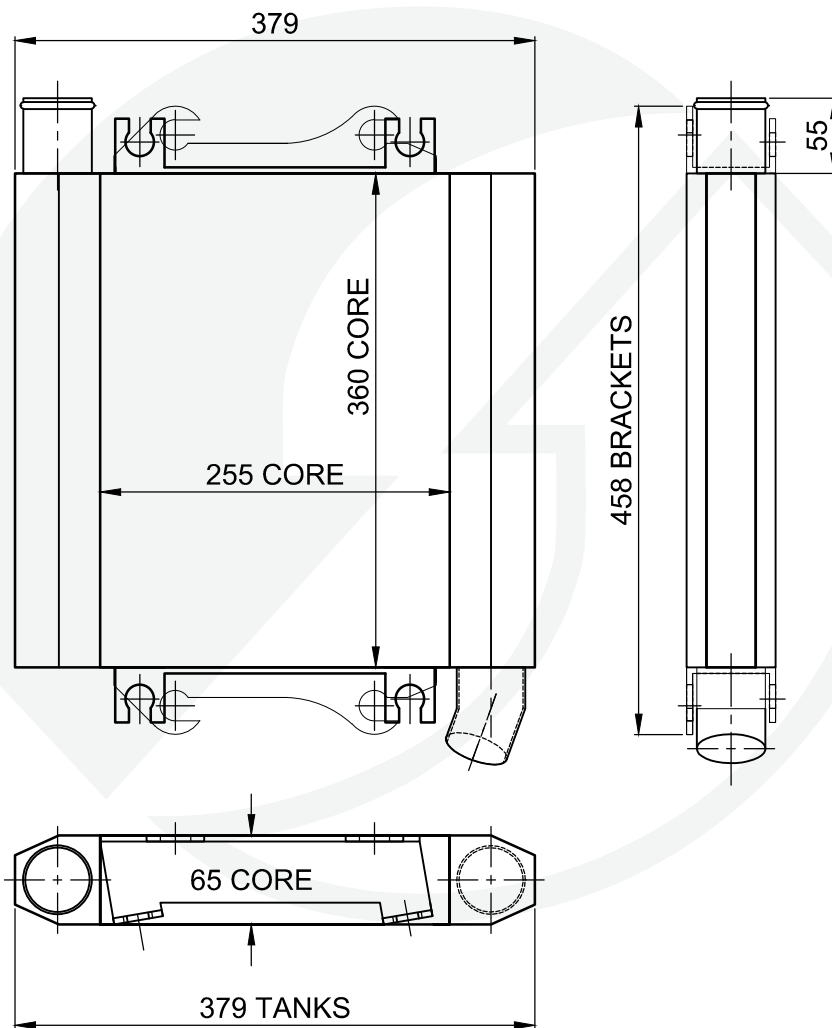
PART NUMBER: INT670FOR1COM

ISUZU KB300



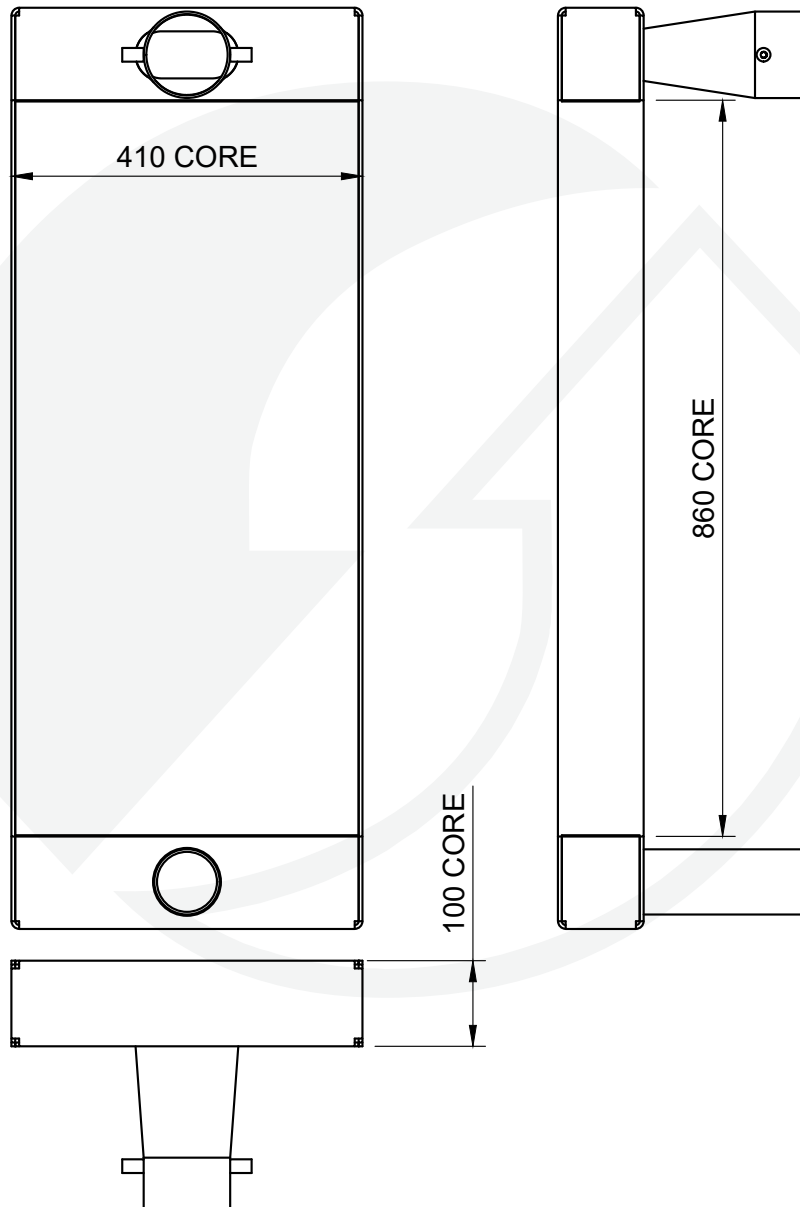
PART NUMBER: INT170ISU1COM

ISUZU D-TEQ



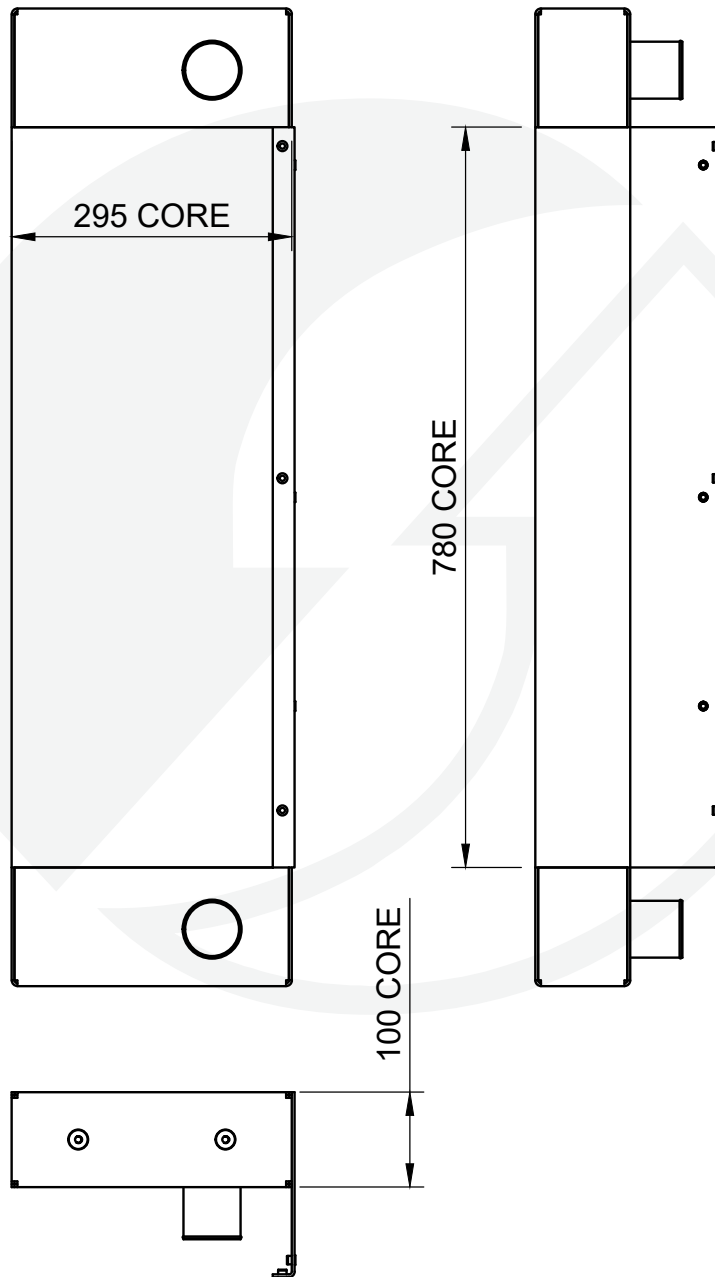
PART NUMBER: INT255ISU1COM

JOHN DEERE 6135 (13.5)



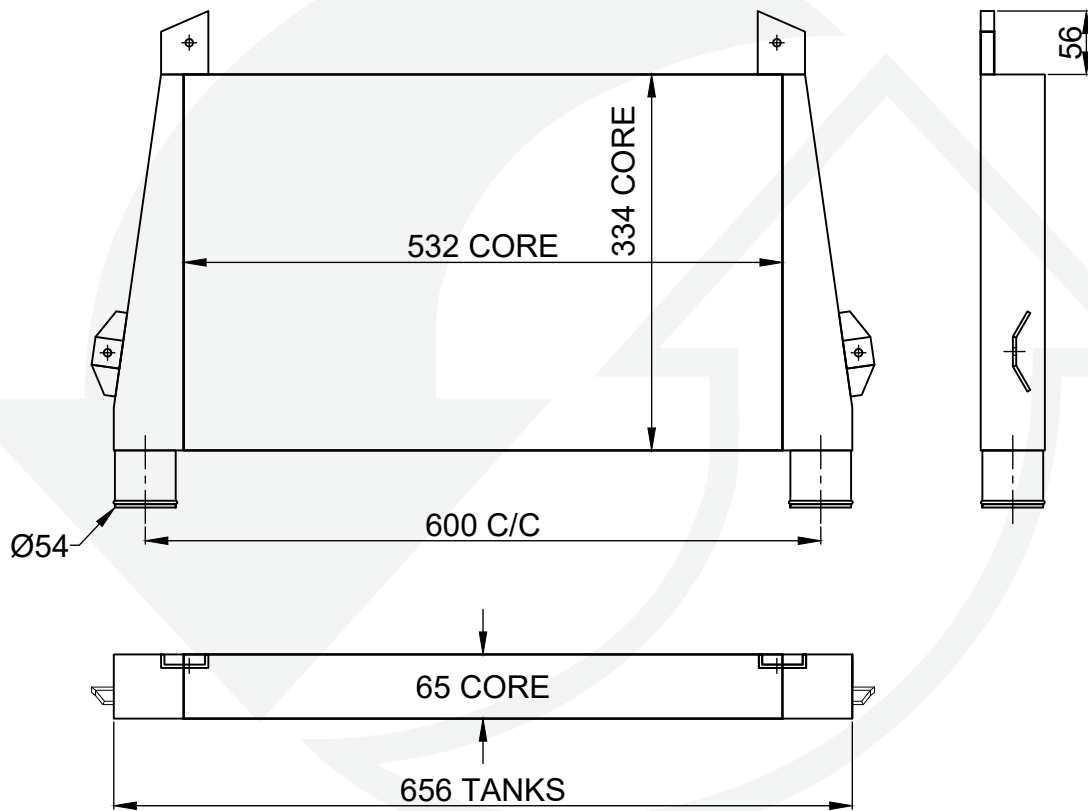
PART NUMBER: INT860JOH1COM

JOHN DEERE 6086 HFI20



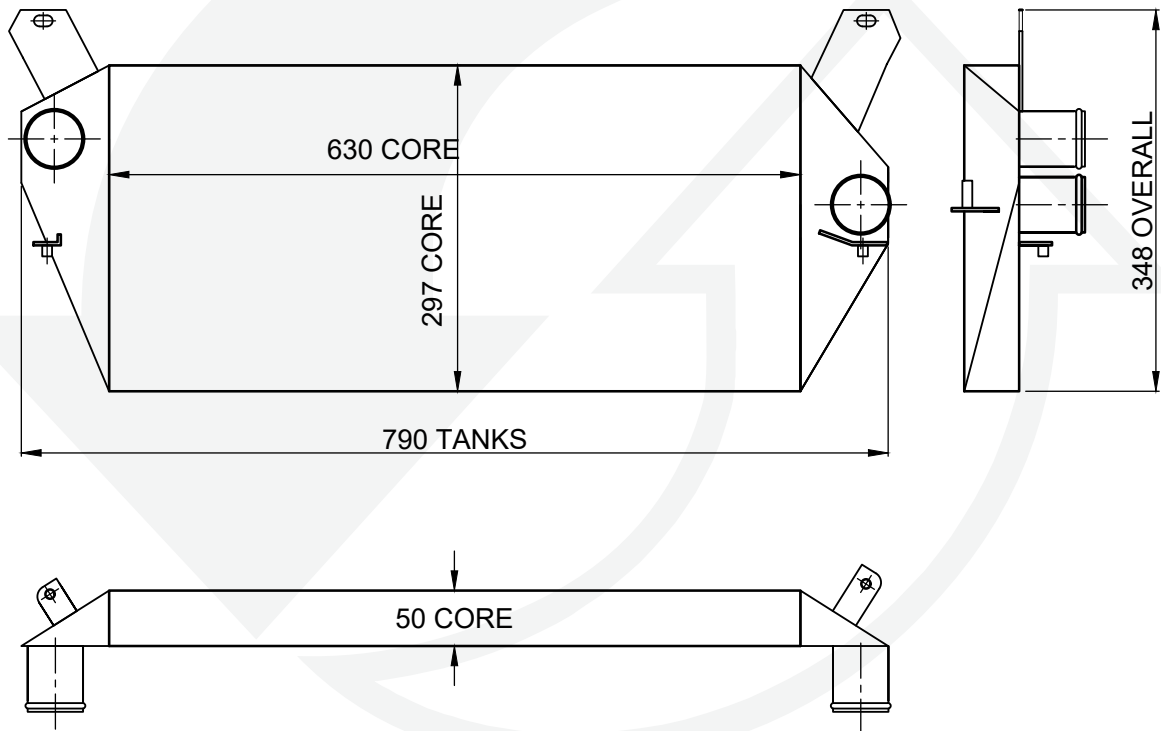
PART NUMBER: INT780JOH1COM

LAND ROVER TDV6



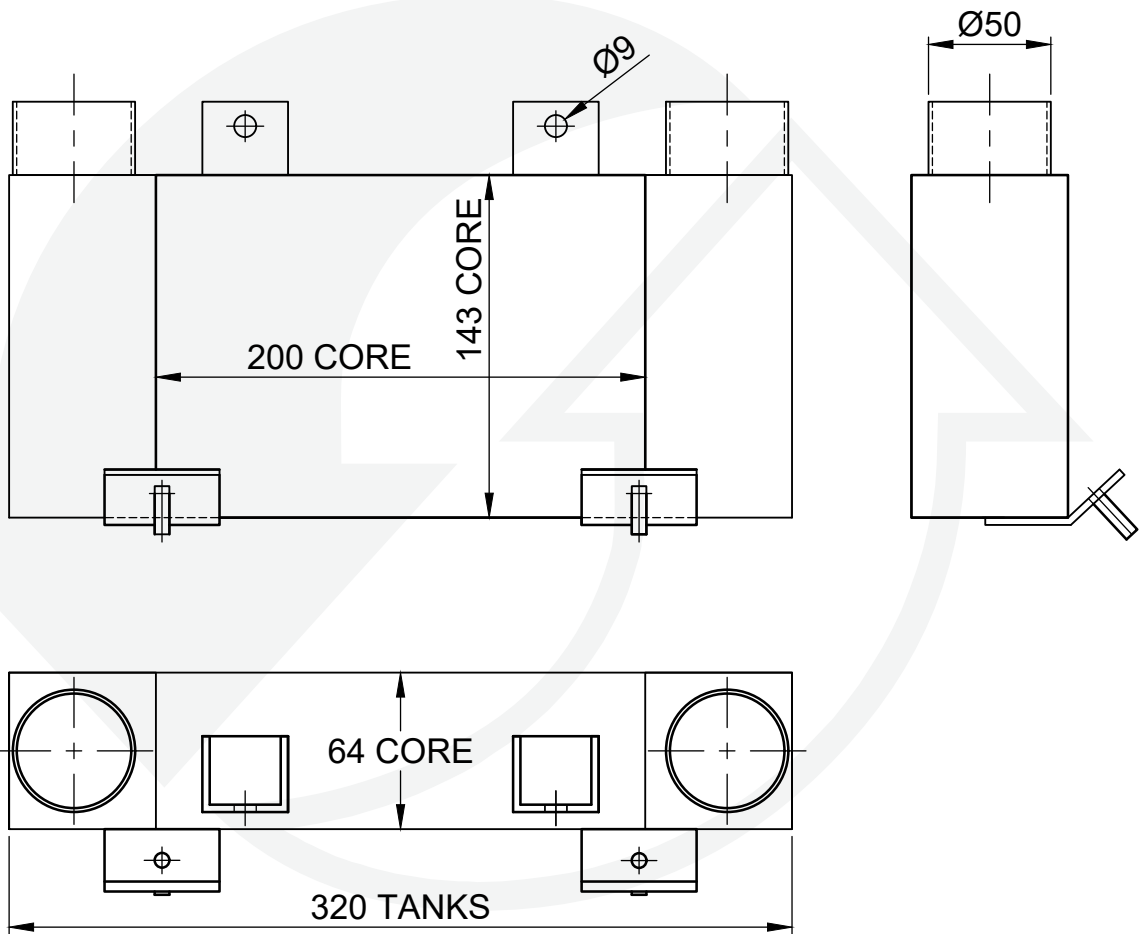
PART NUMBER: INT532LAN1COM

LAND ROVER DISCOVERY TD5



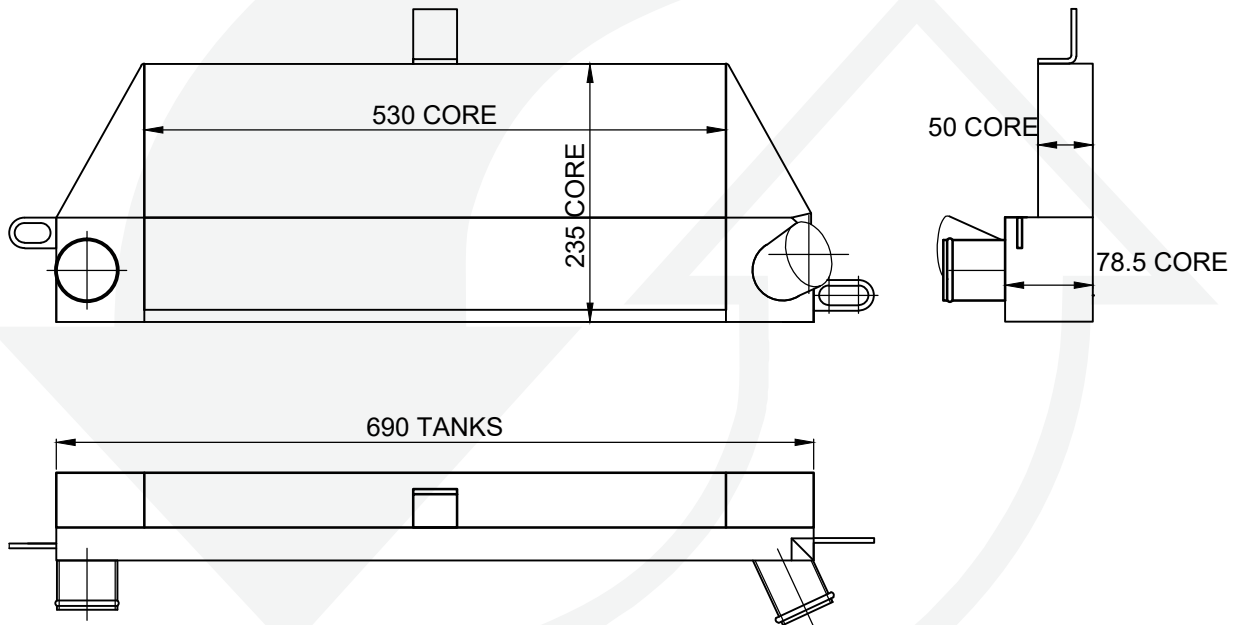
PART NUMBER: INT630LAN1COM

MAZDA 2.5 DIESEL



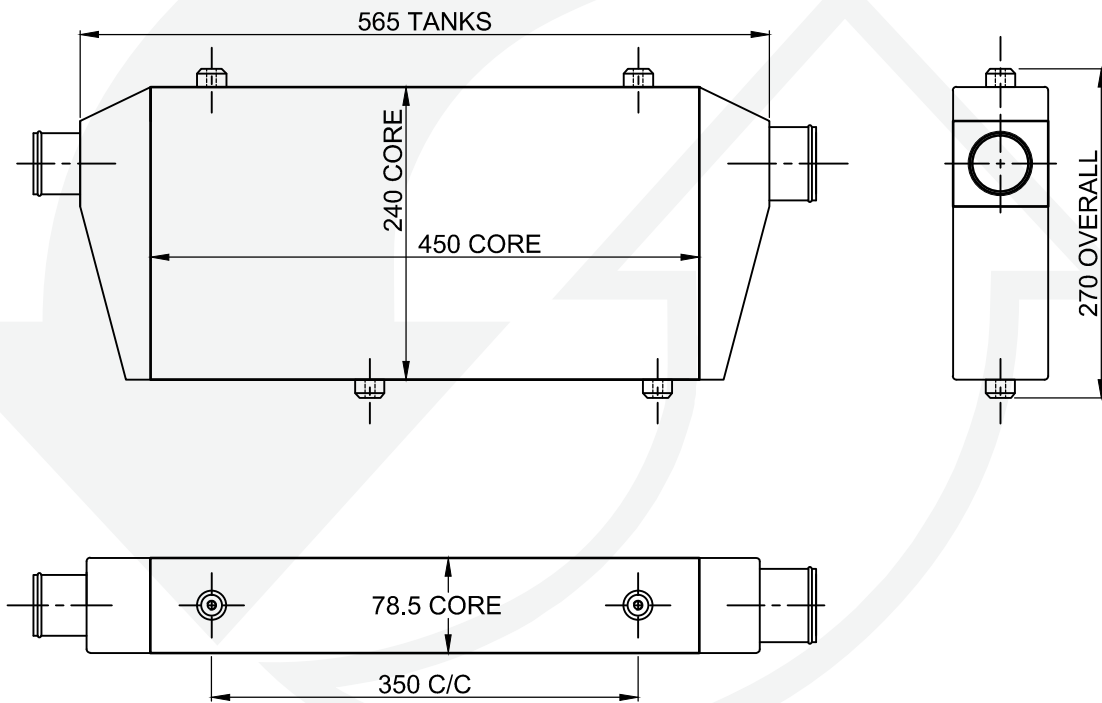
PART NUMBER: INT200MAZ1COM

MINI COOPER S



PART NUMBER: INT530MIN1COM

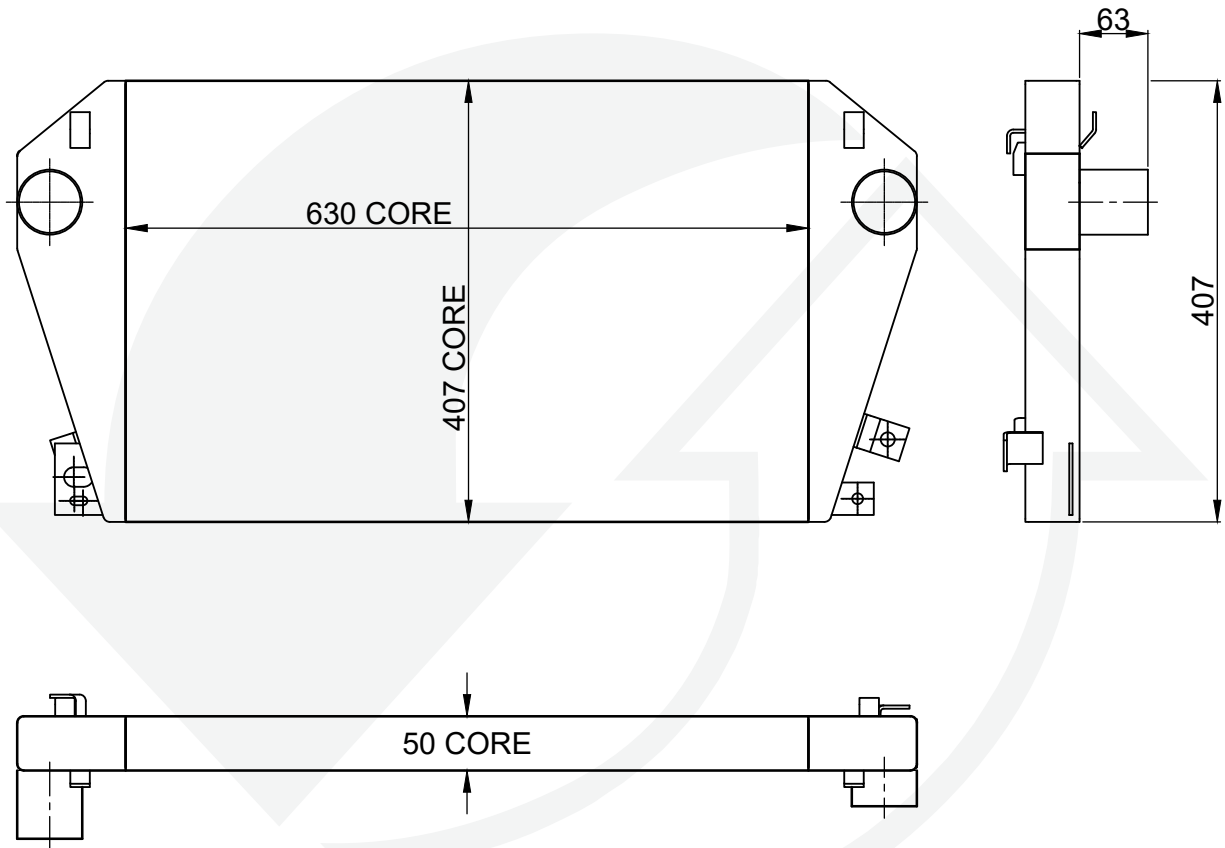
TOYOTA HILUX D4D



PART NUMBER: INT450TOY1COM

INTERCOOLER

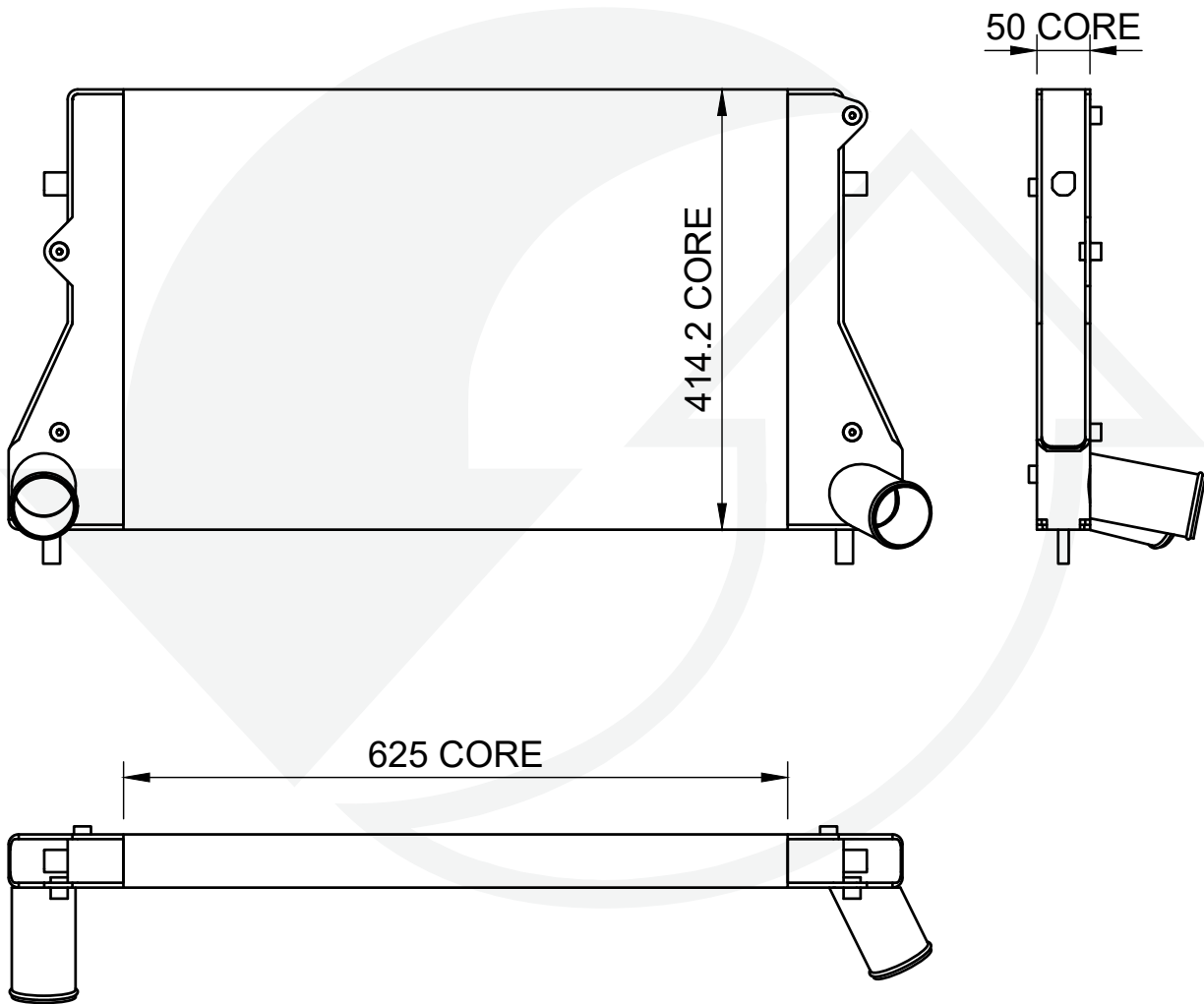
VOLKSWAGEN AMAROK 2.0 TDI



PART NUMBER: INT630VW1COM

INTERCOOLER

VOLKSWAGEN CADDY (2004-2019)



PART NUMBER: INT625VW1COM